

CONTENTS
目录

- 01 HVIL125 series
- 02 HVIL350 series
- 03 TL200 series
- 04 TL300 series
- 05 TL500 series
- 06 XL60 series
- 07 XLP200 series
- 08 XLP60 series
- 09 XT series
- 10 MSD series



Tel: +86 (0)27 81296316
Website: www.renhotecev.com
E-mail: sale@renhotecev.com

key technical data

rated current	125A (Max) rated current
rated voltage	1000V DC
withstand voltage	5000V DC
working temp.	-40°C to +125°C
flame retardant	UL94 V-0, GB/T 2408-2008
mating circles	Min 100 times

key benefits

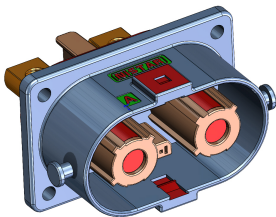
IP grade	IP67,IP6K9K
touch proof	Yes
hvil fuction	optional
shielding	360°
keys	A/Y/U
no. of position	2pos



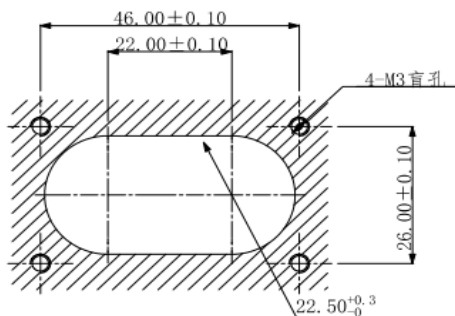
application

- powertrain
- ev battery pack
- on-board charger
- hv inverter
- industrial

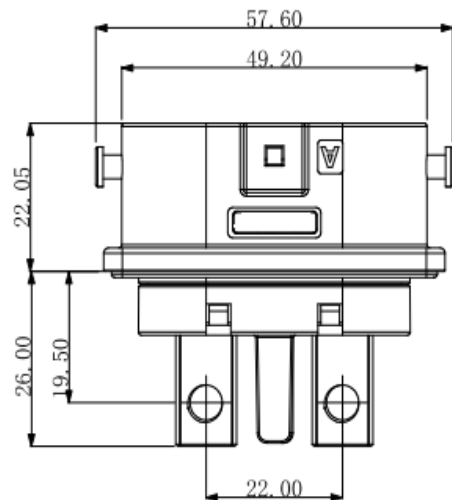
receptacle dimension



2pos receptacle

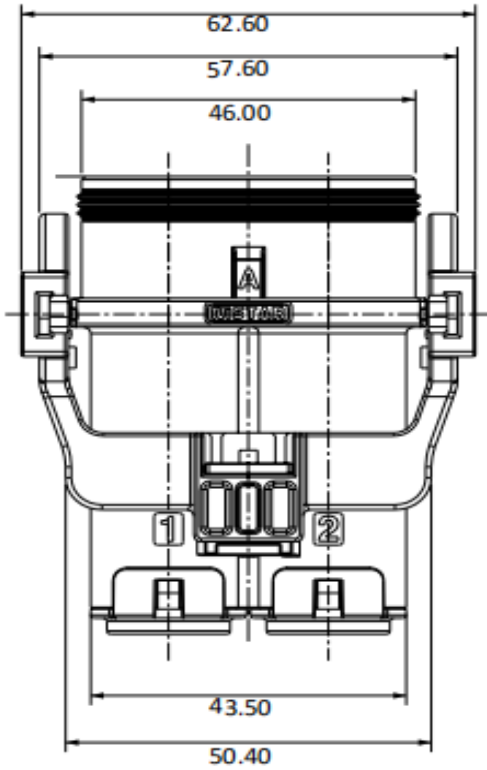


panel cut-out dimension

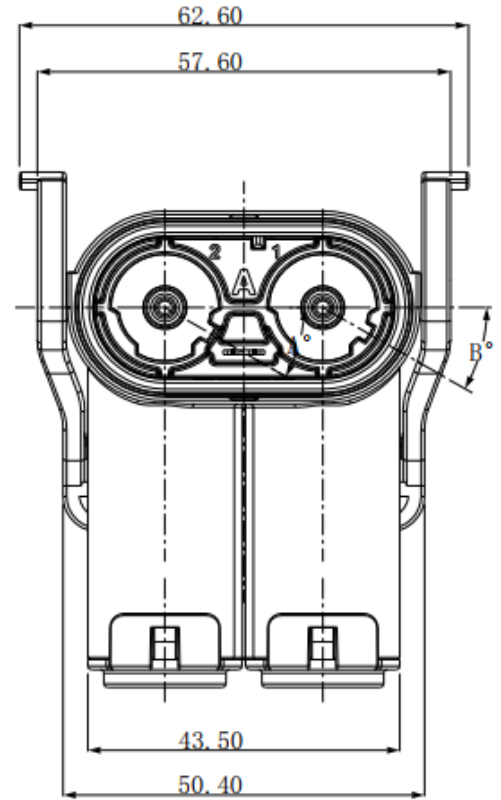


receptacle dimension

plug dimension



straight plug



angular plug

receptacle and plug ordering information

NI	1	-1	-S	060	-2	A	Y	A	C08
series									
shel material (1: metal; 2: thermoplastic)									
shield or not (1: shield 2: unshield)									
shell type (B: angled plug; S: straight plug; H: receptacle with flange)									
contact diameter: $\phi 6.0\text{mm}$ contact									
number of position									
A: A key Y: Y key									
Y: with hvil N: without hvil									
color of lock tab (A: orange B: black)									
termination way (T07: busbar type with M6 screw hole; C08: 25mm ² wire crimping; C07: 16mm ² wire crimping)									

key technical data

rated current	350A (Max)
rated voltage	1000V DC
withstand voltage	5000V DC
working temp.	-40°C to +125°C
flame retardant	UL94 V-0, GB/T 2408-2008 Min 100 times

key benefits

IP grade	IP67,IP6K9K
Touch Proof	Yes
HVIL Function	optional
Shielding	360°
Keys	A/Y/U/V/W
no. of position	1pos

application

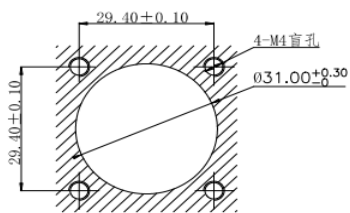
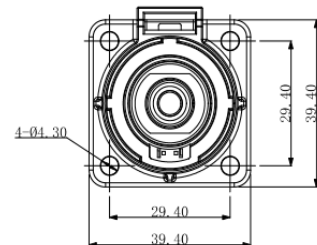
- Powertrain
- ev battery pack
- on-board charger
- HV inverter
- Industrial



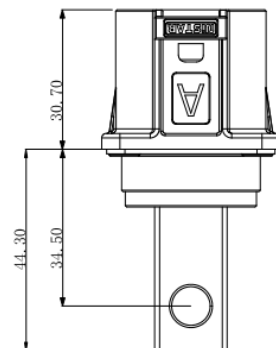
receptacle dimension



1pos receptacle

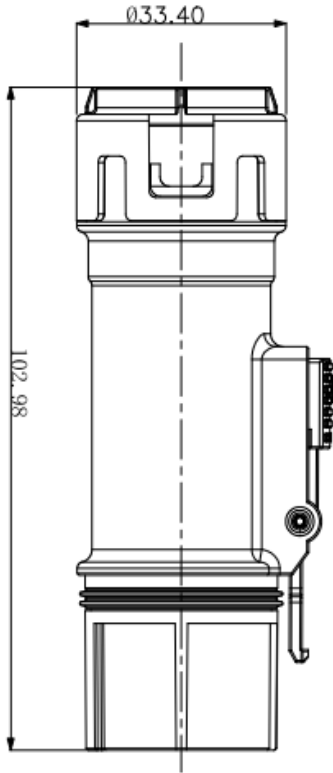


panel cut-out dimension

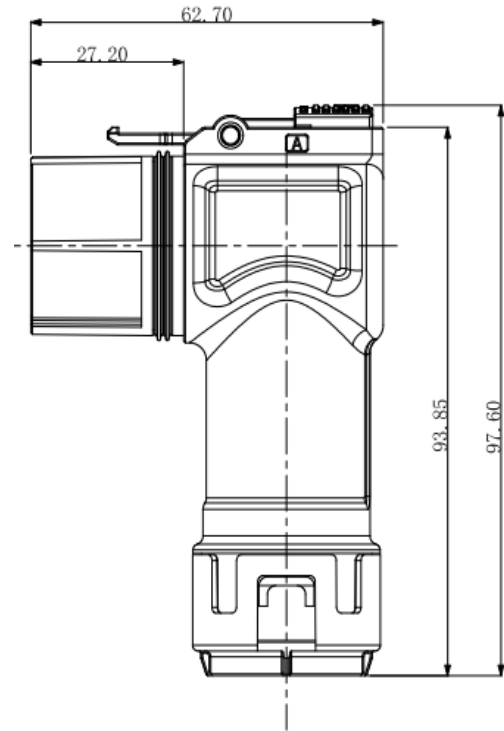


receptacle dimension

plug dimension



straight plug



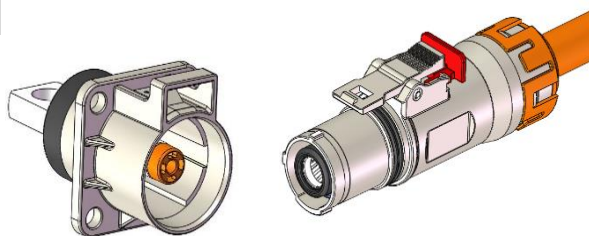
angular plug

receptacle and plug ordering information

NI	1	-1	-S	120	-1	A	Y	A	C12
series									
shel material (1 metal; 2: thermoplastic)									
shield or not (1: shield; 2: unshield)									
shell type (B: angled plug; S: straight plug; H: receptacle with flange)									
contact diameter: $\phi 12.0\text{mm}$ contact									
number of position									
A: A key Y: Y key									
Y: with hvil N: without hvil									
color of lock tab & touchproof cap (A: orange; B: black)									
termination way (T09: busbar type with M10 screw hole; C10: 50mm ² wire crimping; C11: 70mm ² wire crimping; C12: 95mm ² wire crimping)									

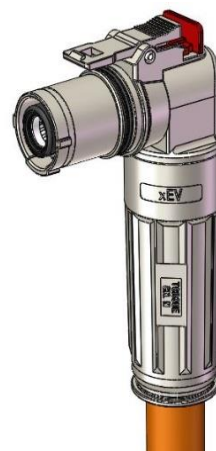
key technical data

rated current	200A (Max) rated current
rated voltage	1000V DC
withstand voltage	5000V DC
working temp.	-40°C to +125°C
flame retardant	UL94 V-0, GB/T 2408-2008
mating circles	Min 100 times



key benefits

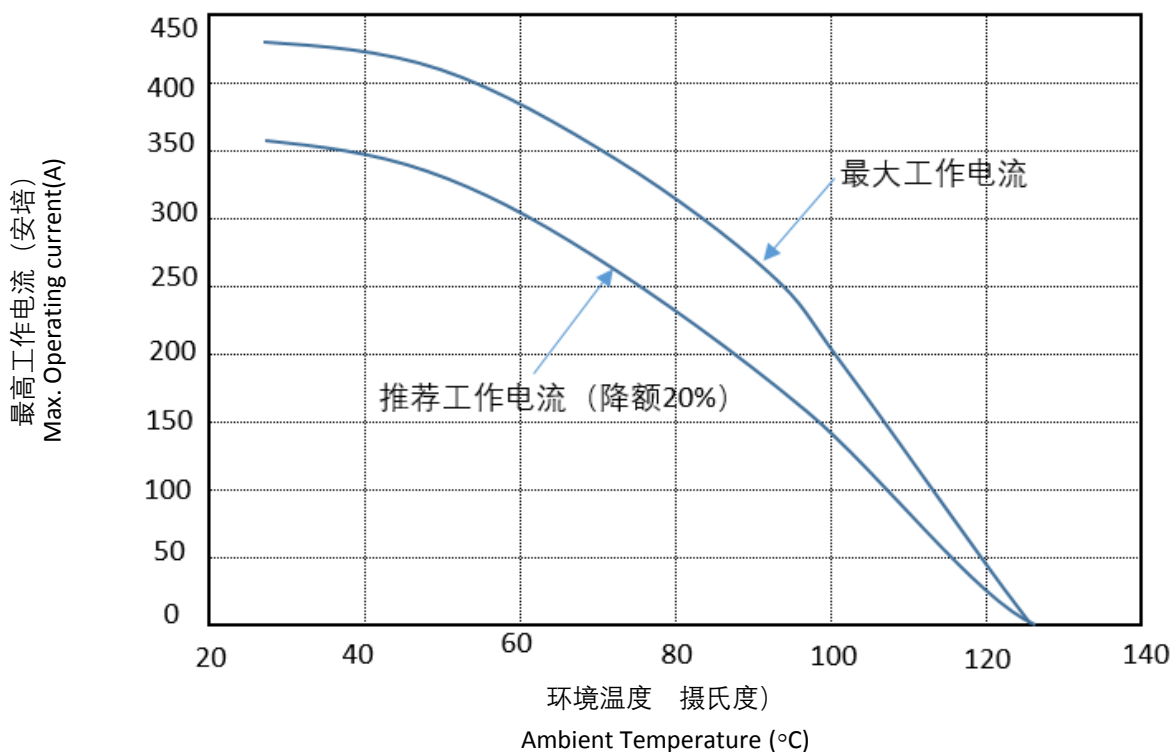
IP grade	IP67,IP6K9K
touch proof	Yes
hvil fuction	optional
shielding	360°
keys	X/Y/U/V/W/T
no. of position	1pos



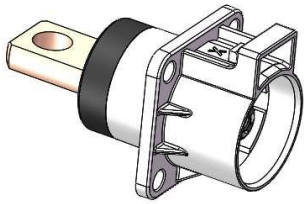
application

- powertrain
- ev battery pack
- on-board charger
- hv inverter
- industrial

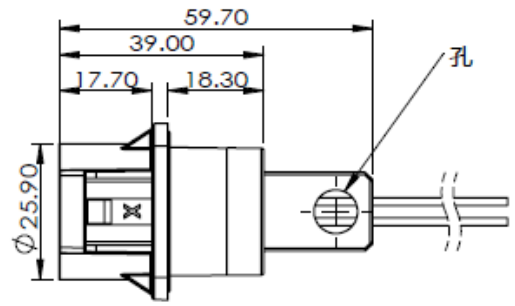
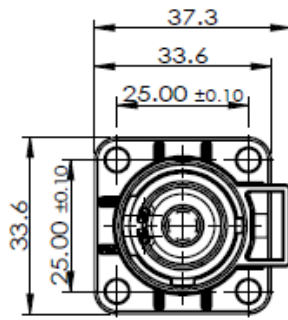
TL200 ambient temp-operating current decline curve graph (ref. IEC 60512-5-2)



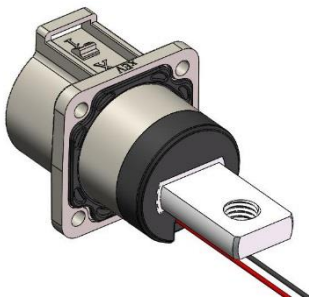
receptacle dimension



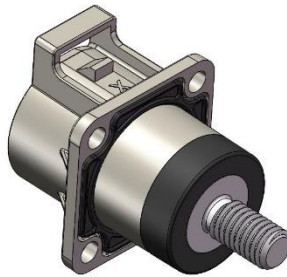
single pole receptacle



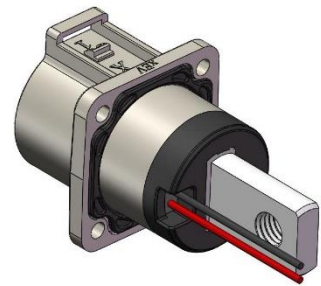
terminal type



busbar
("E" 10)

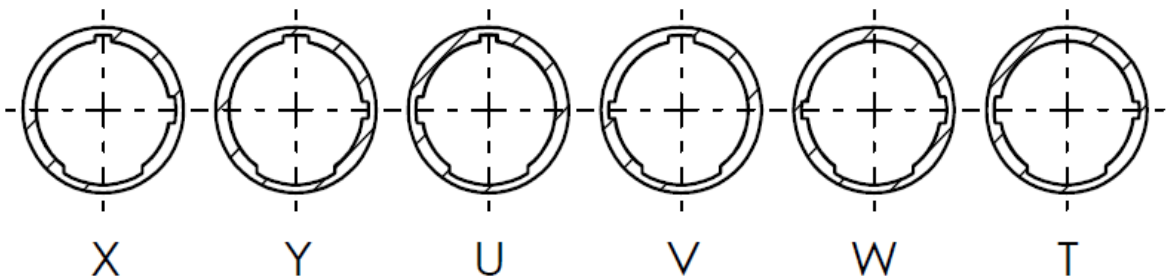


threaded bolt
("E" 20)

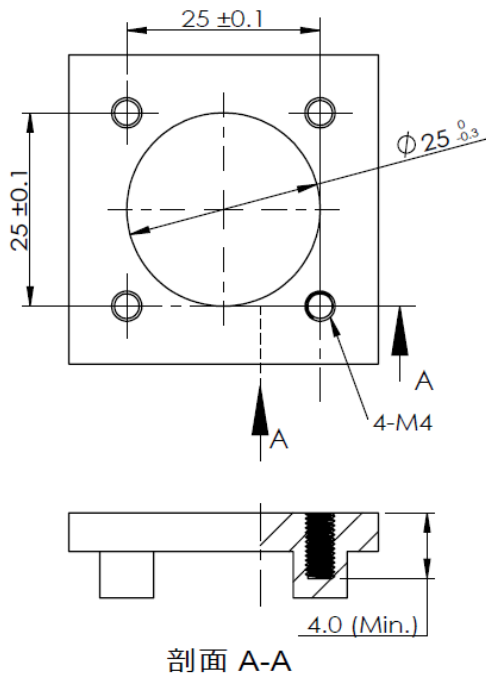


90° busbar
("E" 90)

error-proof keys



panel cut-out dimension

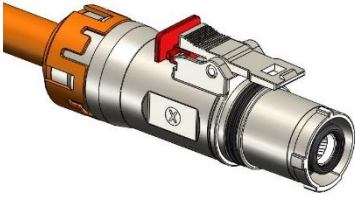


receptacle ordering information:

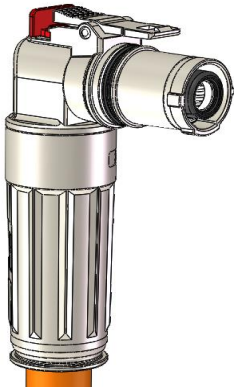
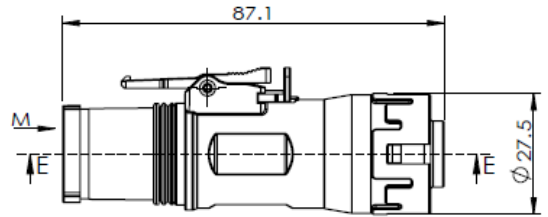
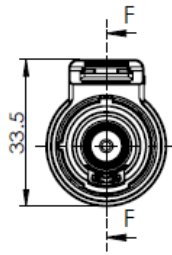
TL 00X - 201 - 10 M8
 A B&C D E F

- (F) terminal dim: M8 hole
- (E) terminal type: busbar
- (D) hvil: 200 series with hvil
- (B) & (C) type and key: 1pos receptacle, x key, orange
- (A) TL series

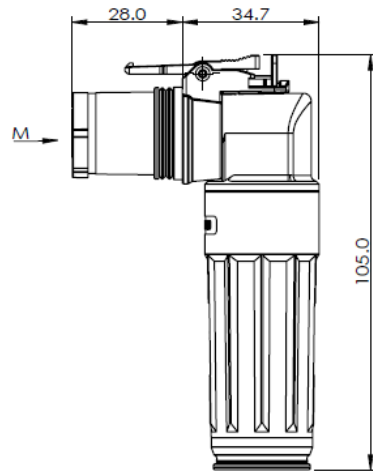
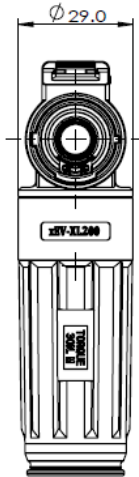
plug dimension



1pos plug, straight

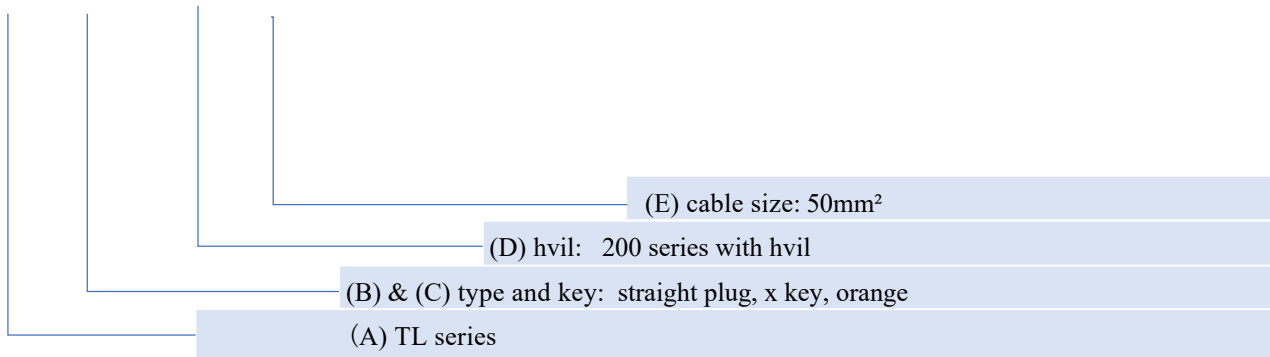


1pos plug, right angle



plug ordering information:

TL 18X - 201 - 50
 A B&C D E



receptacle ordering information:

(A) series		(B) connector type		(C) keys and color		(D) HVIL		(E) terminal type		(F) busbar hole type	
TL	Tlok	00	receptacle	X	orange	201	with hvil	10	busbar	screw hole	M8/M10
				Y	black	200	w/o hvil			hole	D8/D10
				U	yellow			20	threaded bolt	screw hole	M8/M10
				V	green			90	90°busbar	screw hole	M8/M10
				W	red					hole	D8/D10
				T	blue						

plug ordering information:

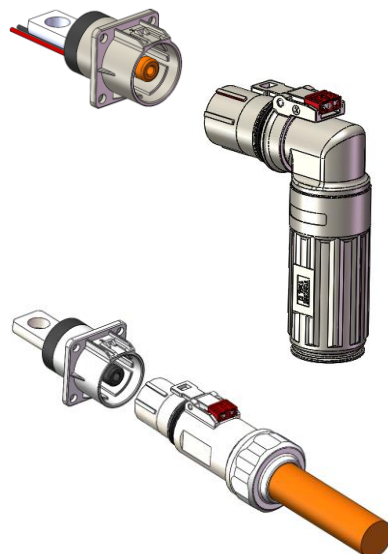
(A)series		(B)connector type		(C)keys and color		(D)HVIL		(E)cable size	
TL	Tlok	18	1POS, straight plug, for shield cable	X	orange	201	with hvil	25	25mm ²
		28	1POS, angled plug, for shield cable	Y	black	200	w/o hvil	35	35mm ²
		48	1POS, straight plug, for unshield cable	U	yellow			50	50mm ²
		58	1POS, angled plug, for unshield cable	V	green				
				W	red				
				T	blue				

key tech parameters

rated current rated	300A (Max) rated current
rated voltage	1000V DC
withstand voltage	5000V DC
working temp.	-40°C to +125°C
flame retardant	UL94 V-0, GB/T 2408-2008
life circles	Min100

key benefits

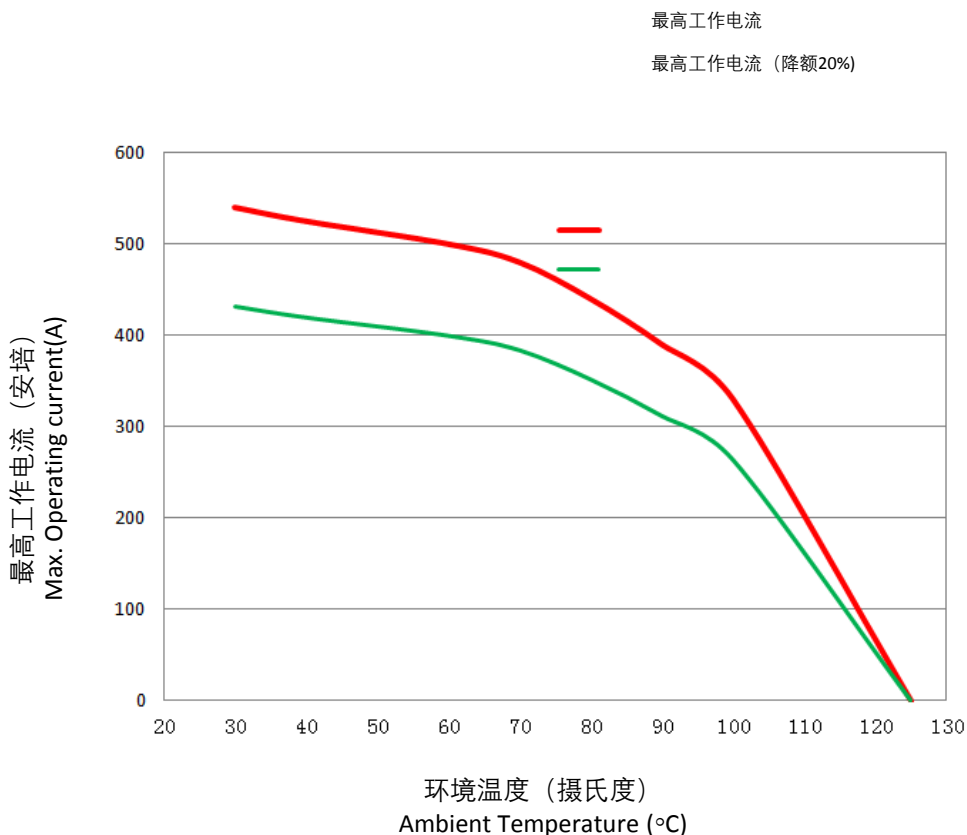
IP grade	IP67,IP6K9K
touch proof	Yes
hvil fuction	optional
shielding	360°
keys	X/Y/U/V/W/T
no. of position	1pos



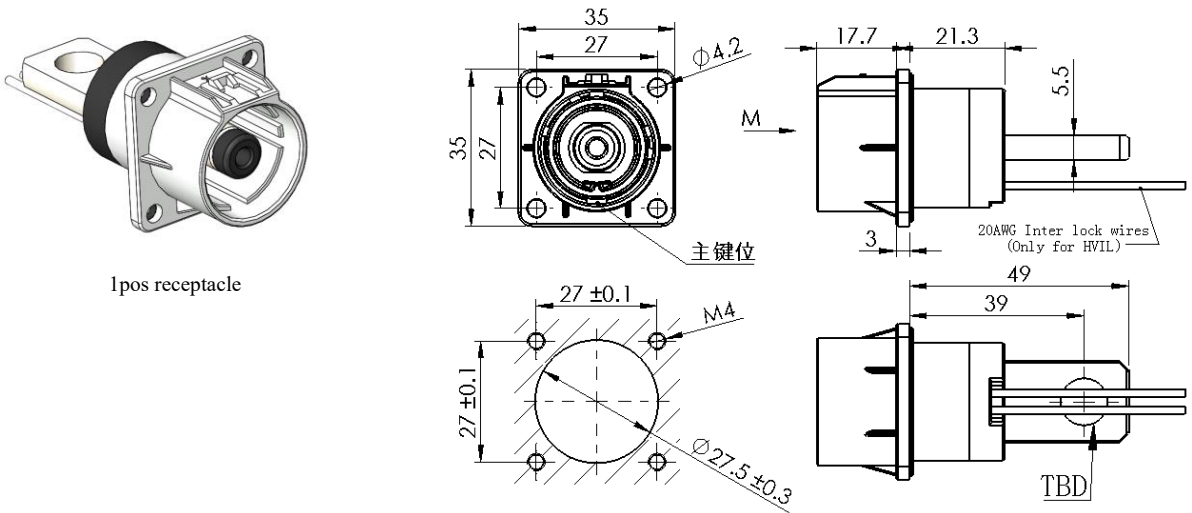
application

- powertrain
- ev battery pack
- on-board charger
- hv inverter
- industrial

TL300 ambient temp-operating current decline curve graph (ref. IEC 60512-5-2)

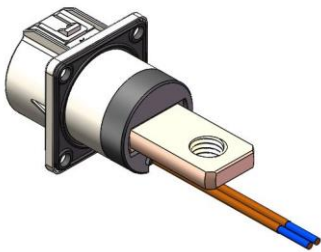


receptacle dimension



Ipos receptacle

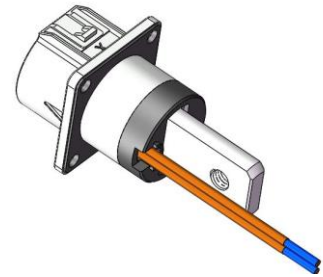
terminal type



busbar



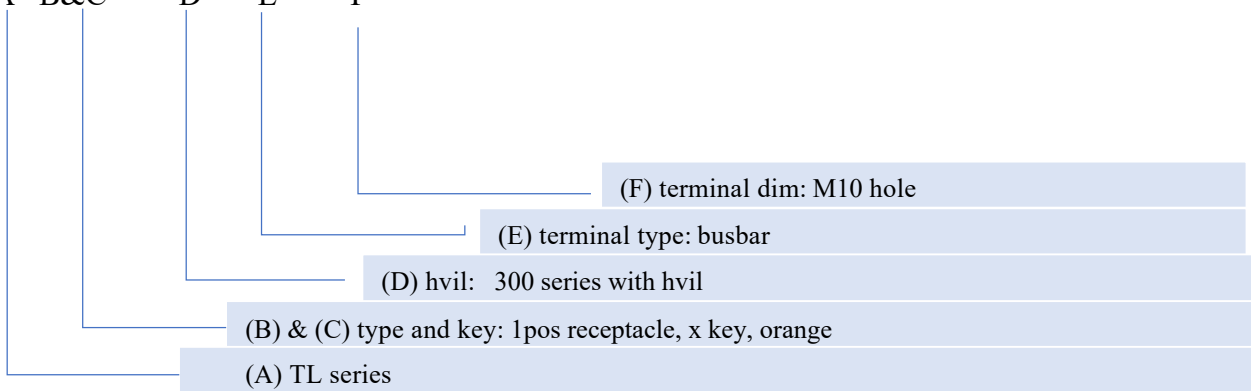
threaded bolt



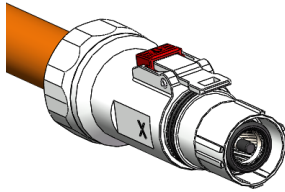
90° busbar

ordering information

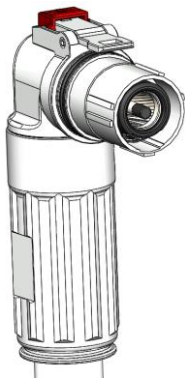
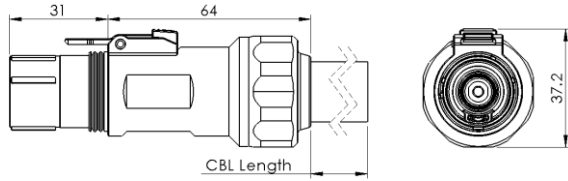
TL 00X - 301 - 10 M10
 A B&C D E F



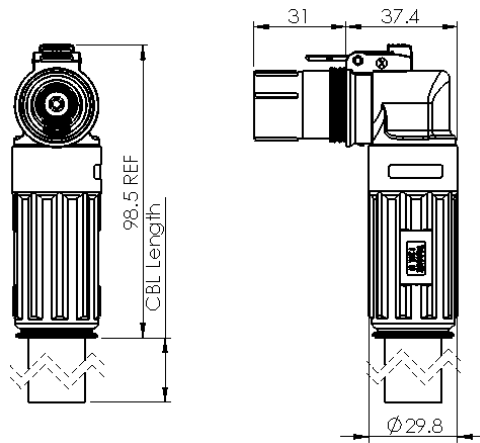
plug dimension



1pos, straight plug



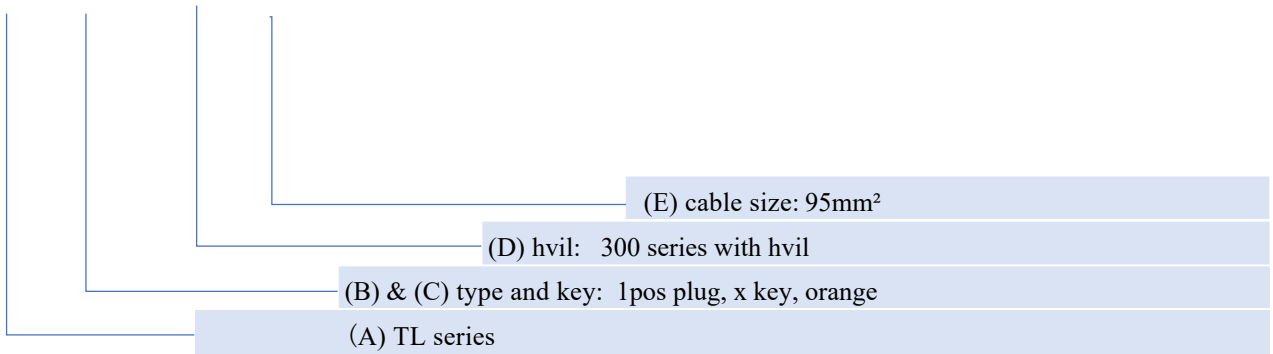
1pos, R/A plug



receptacle ordering information:

TL 18X - 301 - 95

A B&C D E



receptacle ordering information

(A) series		(B) connector type		(C) key & color		(D) hvil		(E) terminal type		(F) terminal size	
TL	TL series	00	1pos, receptacle	X	X key, orange	300	300 series w/o hvil	10	busbar	M+Stud Size	M+screw hole (8 or 10)
				Y	Y key, black	301	300 series with hvil	20	threaded bolt	D+Stud Size	D+hole (8 or 10)
				U	U key, yellow			90	90° busbar	M+Thread Size	M+bolt (8 or 10)
				V	V key, green						
				W	W key, blue						
				T	T key, red						

plug ordering information

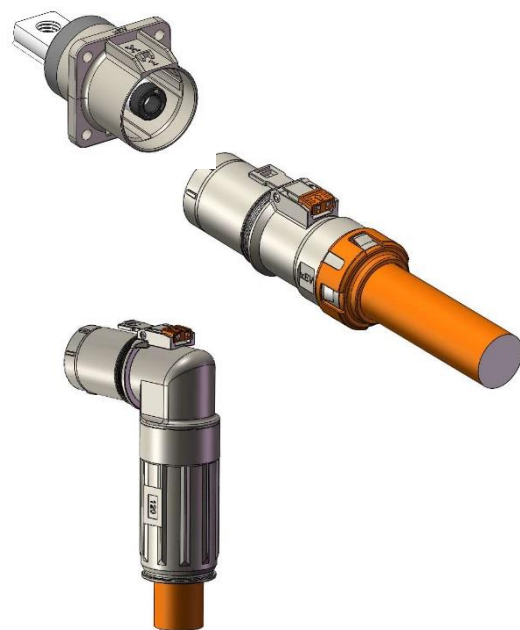
(A) series		(B) connector type		(C) keys and color		(D) hvil		(E) cable size	
								cable size(mm²)	current(A)
TL	TL series	18	1POS, plug, straight	X	X key, orange	300	300 series w/o hvil	35	150
		28	1POS, plug, R/A	Y	Y key, black	301	300 series with hvil	50	200
				U	U key, yellow			70	250
				V	V key, green			95	300
				W	W key, blue				
				T	T key, red				

key tech parameters

rated current	500A (Max) rated current
rated voltage	1000V DC
withstand voltage	5000V DC
working temp.	-40°C to +125°C
flame retardant	UL94 V-0, GB/T 2408-2008
life circles	Min100

key benefits

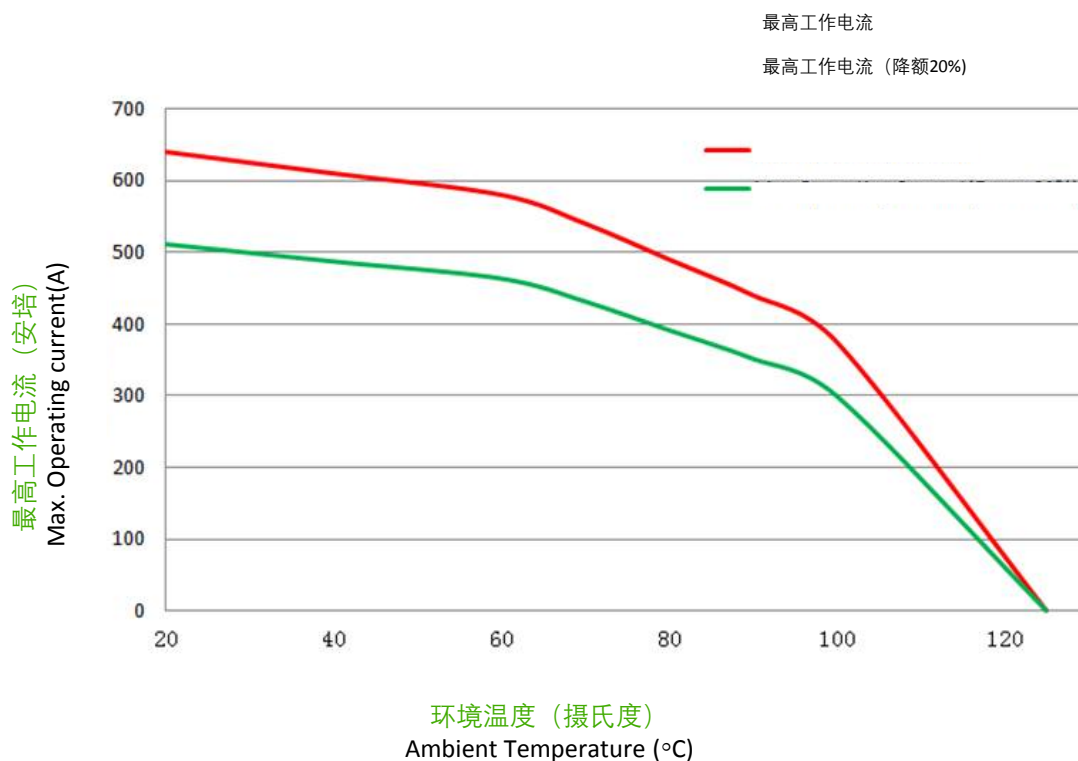
IP grade	IP67,IP6K9K
touch proof	Yes
hvil fuction	optional
shielding	360°
keys	X/Y/U/V/W/T
no. of position	1pos



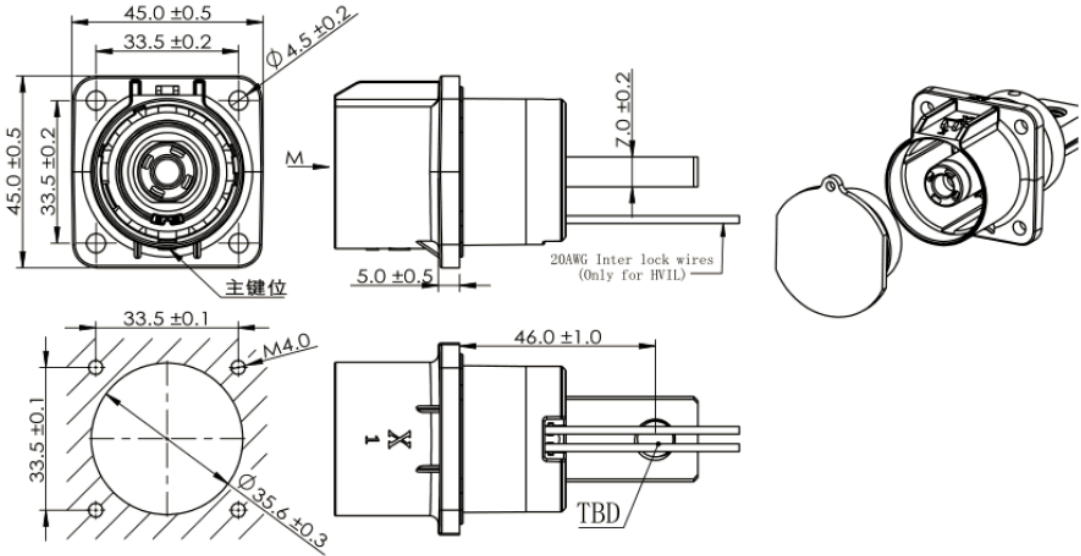
application

- powertrain
- ev battery pack
- on-board charger
- hv inverter
- industrial

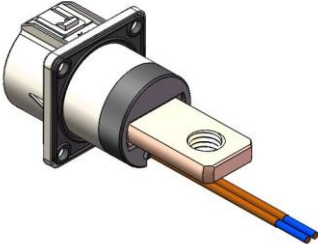
TL500 ambient temp-operating current decline curve graph (ref. IEC 60512-5-2)



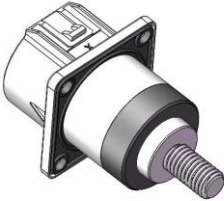
receptacle dimension



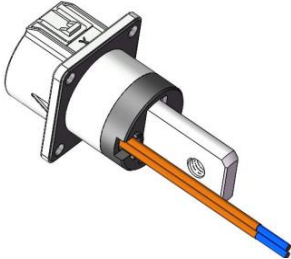
terminal type



busbar



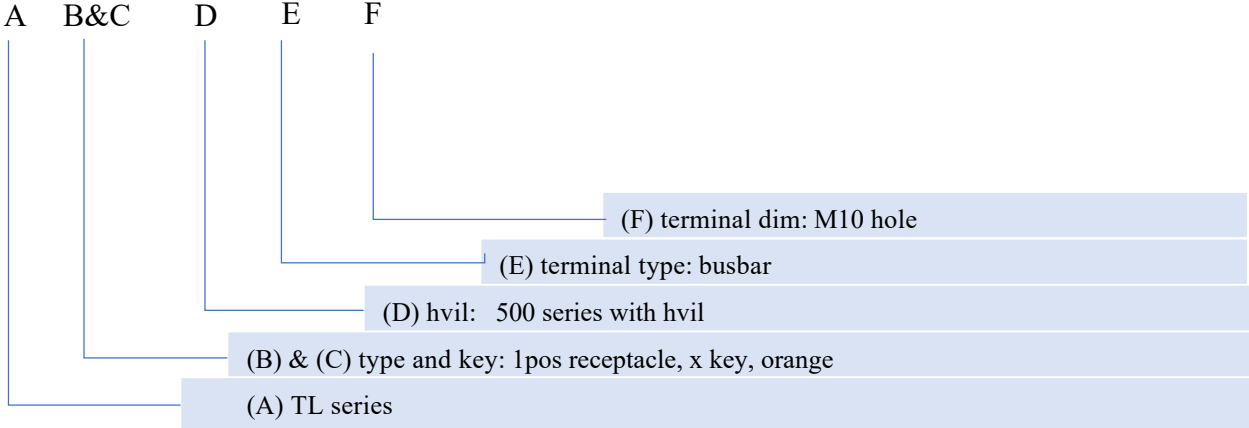
threaded bolt



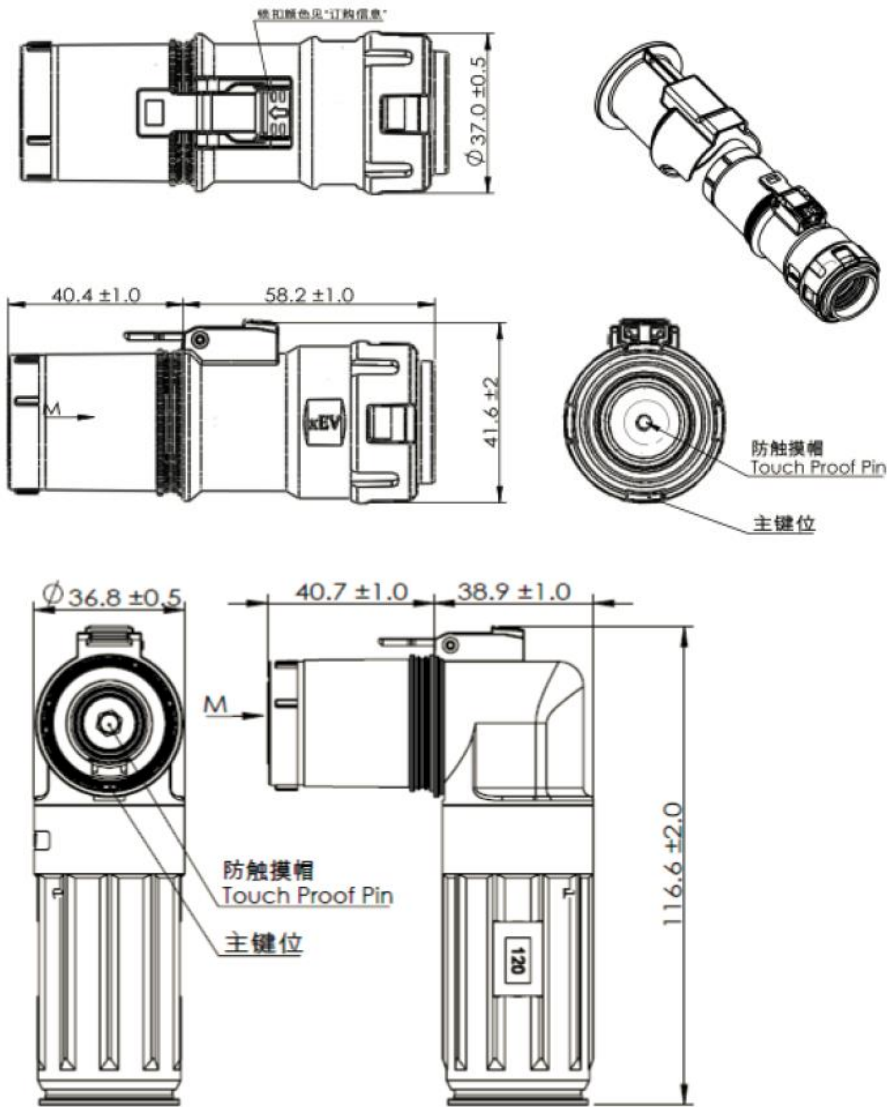
90° busbar

receptacle ordering information

TL 00X - 501 - 10 M10

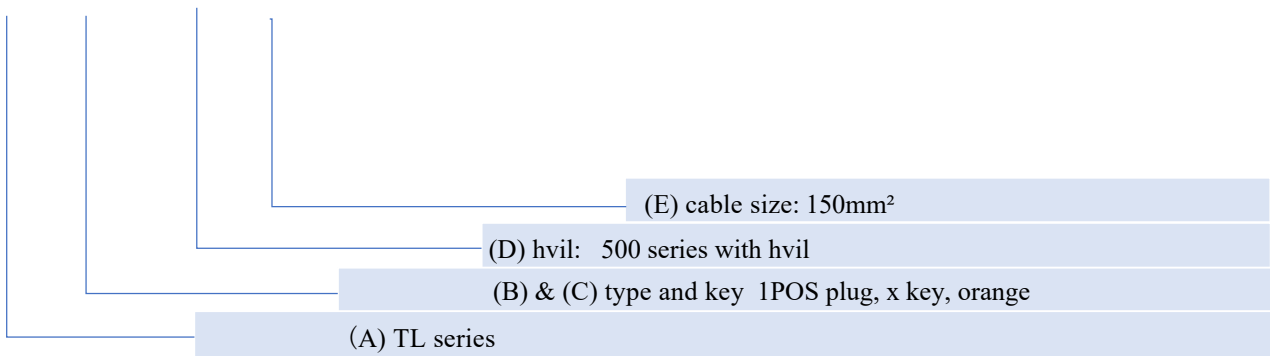


plug dimension



plug ordering information

TL 18X - 501 - 150
A B&C D E



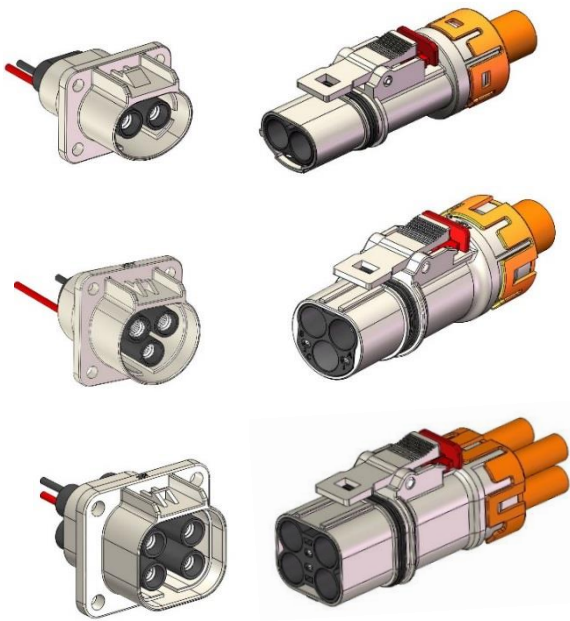
receptacle ordering information

(A) series		(B) connector type		(C) keys and color		(D) HVIL		(E) terminal type		(F) busbar hole type	
TL	Tlok	00	receptacle	X	orange	501	with hvil	10	busbar	screw hole	M8/M10
				Y	black	500	w/o hvil			hole	D8/D10
				U	yellow			20	threaded bolt	screw hole	M8/M10
				V	green						
				W	red						
				T	blue						

plug ordering information

(A)series		(B)connector type		(C)keys and color		(D)HVIL		(E)cable size	
TL	Tlok	18	1POS, straight plug, for shield cable	X	orange	501	with hvil	120	120mm ²
		28	1POS, angled plug, for shield cable	Y	black	500	w/o hvil	135	135mm ²
		48	1POS, straight plug, for unshield cable	U	yellow			150	150mm ²
		58	1POS, angled plug, for unshield cable	V	green				
				W	red				
				T	blue				

XL60 series

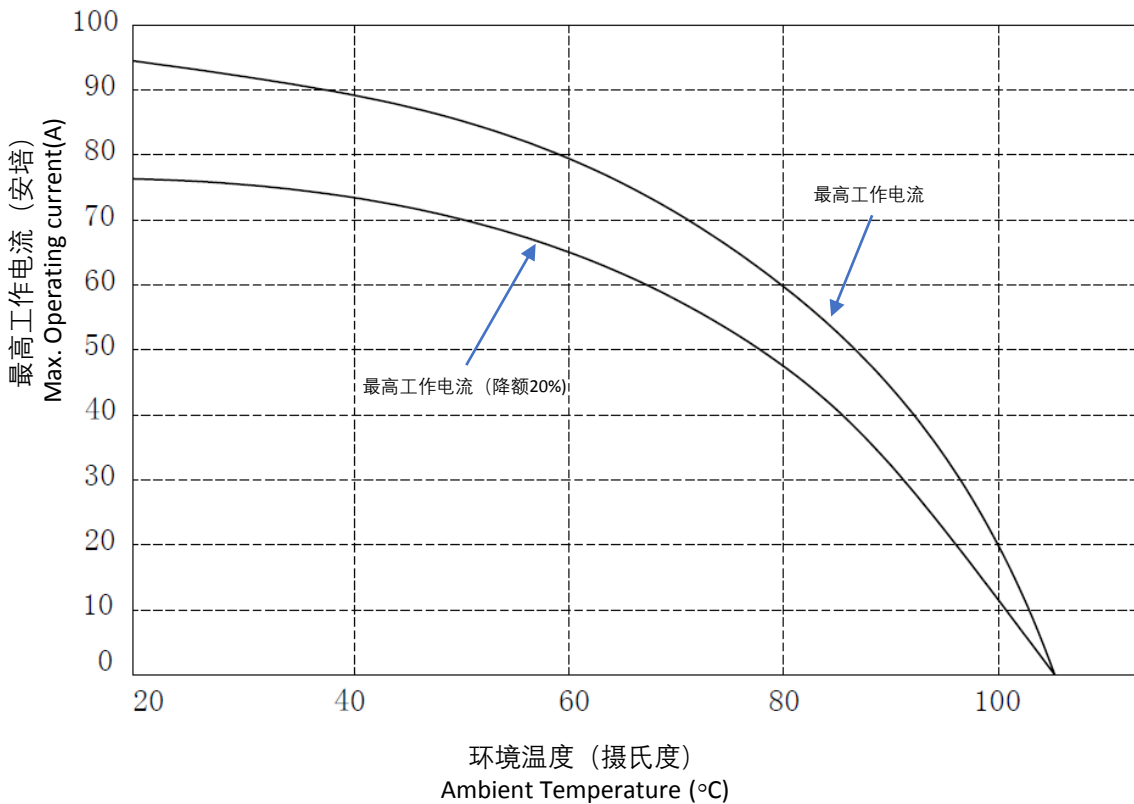


Technical Data	
mechanical features	
life circles	100 times (Min.)
	<100N
HVIL	optional
electrical features	
rated voltage	900VDC/600VAC(Max.)
rated current	60A (Max.)
insulation resistance	>200 兆欧
dielectric strength	3900 VDC / 2200V AC
shield performance	360° shielding
ambient performance	
working temp	-40 °C to +125°C
sealing performance	IP67、IP6K9K(互配状态)
touch-proof	IP2XB
salt spray test	48h (Min.)

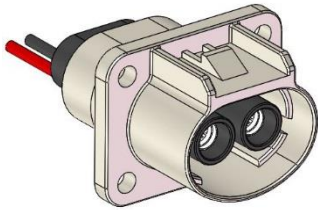
typical application

powertrain motor industrial on-board charger inverter

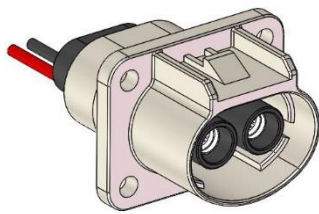
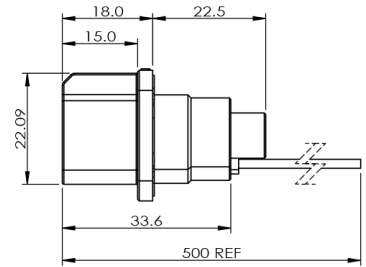
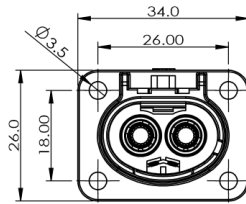
XL-60 ambient temp-operating current decline curve graph (ref. IEC 60512-5-2)



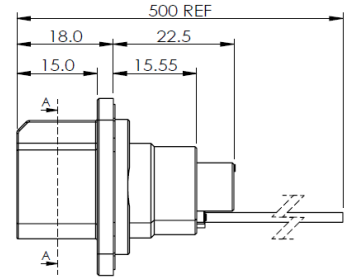
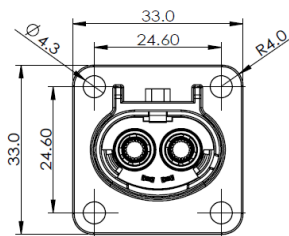
XL 60 2pos receptacle dimension



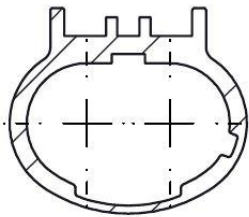
XL082



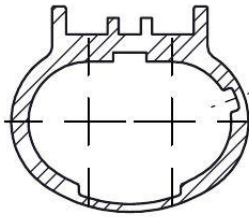
XL062



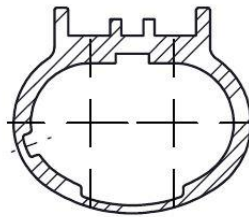
2pos receptacle keys



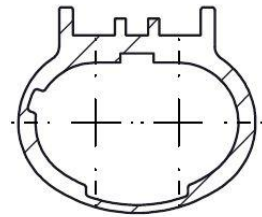
X键位



Y键位

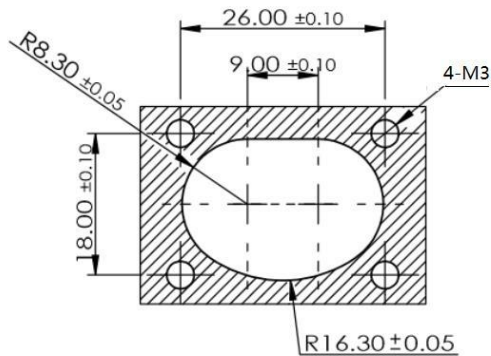


U键位

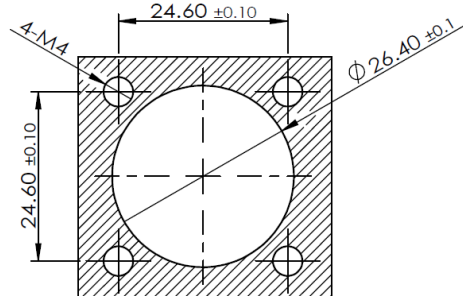


Z键位

2pos receptacle panel cut-out dimension

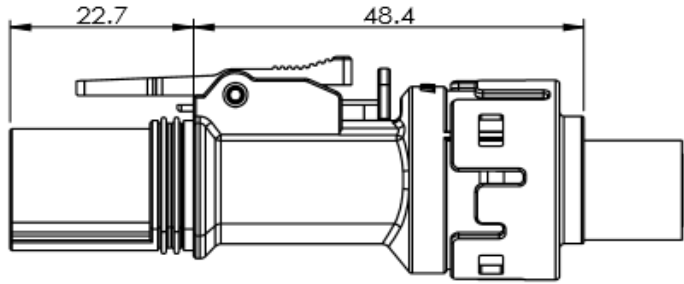
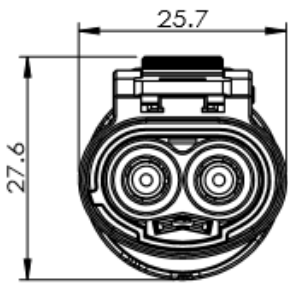
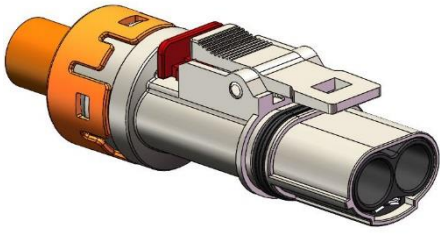


XL082

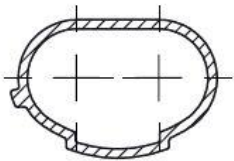


XL60 Series

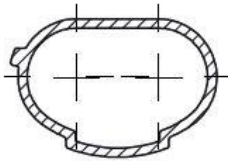
XL 60 2pos plug dimension



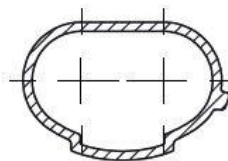
2pos plug keys:



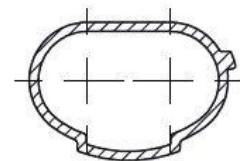
X 键位



Y 键位

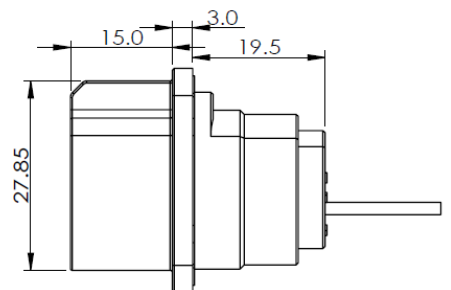
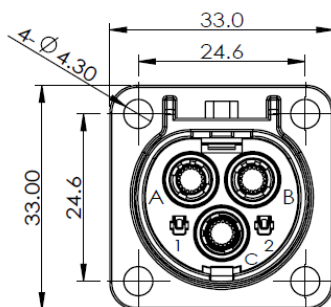
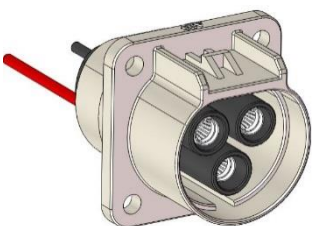


U 键位



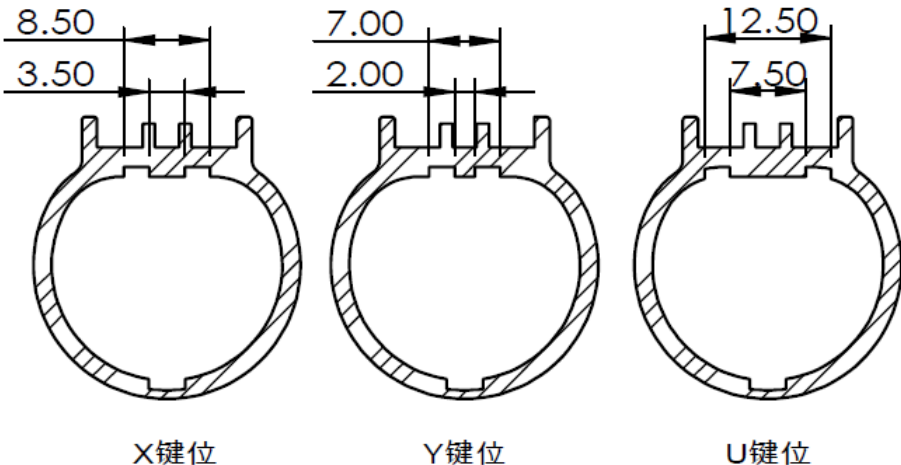
Z 键位

XL 60 3pos receptacle dimension

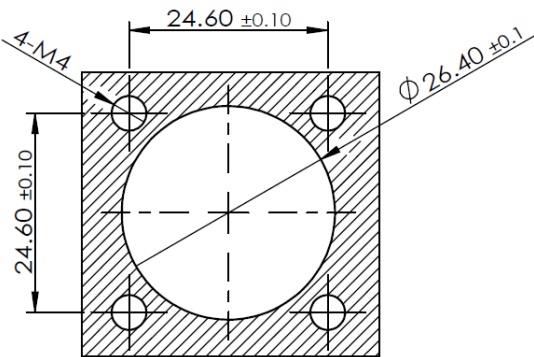


XL60 Series

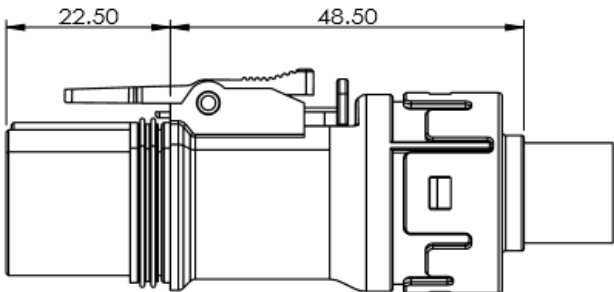
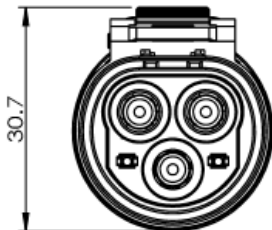
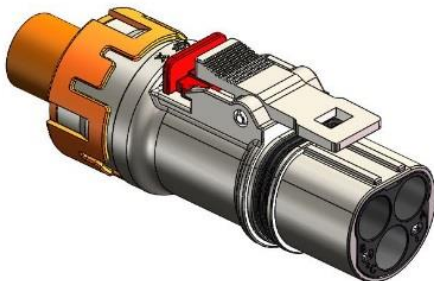
3pos receptacle keys



3pos receptacle panel cut-out dimension

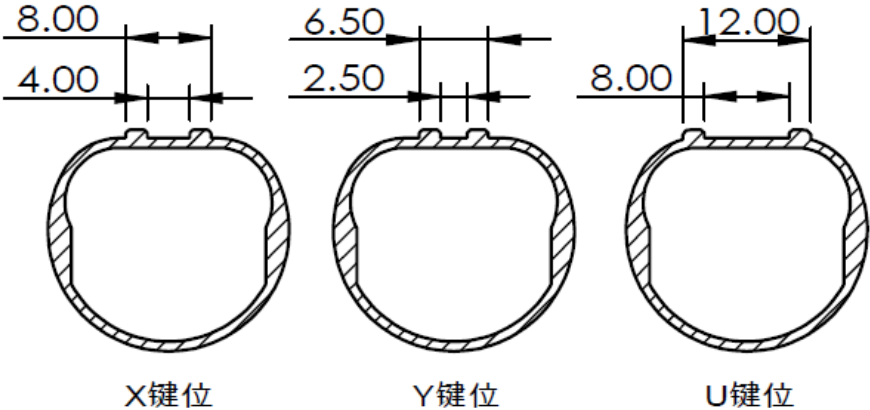


XL 60 3pos plug receptacle dimension

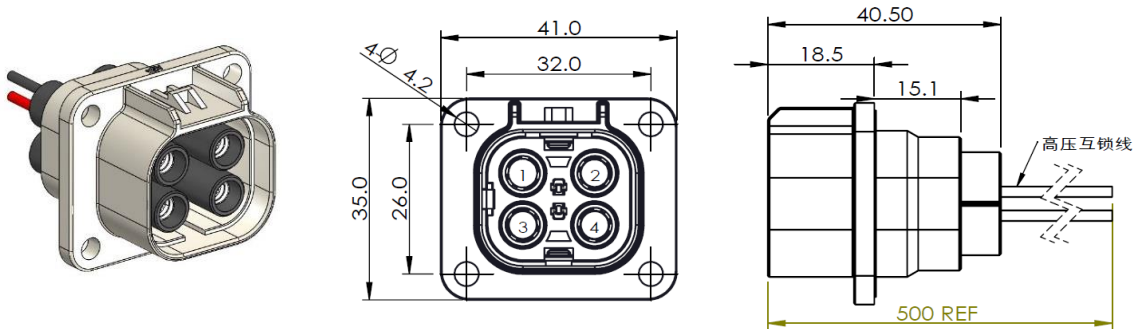


XL60 Series

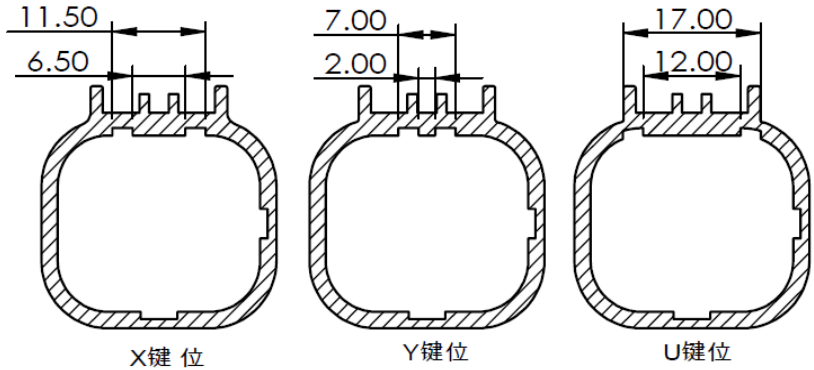
3pos plug keys



XL 60 4POS receptacle dimension

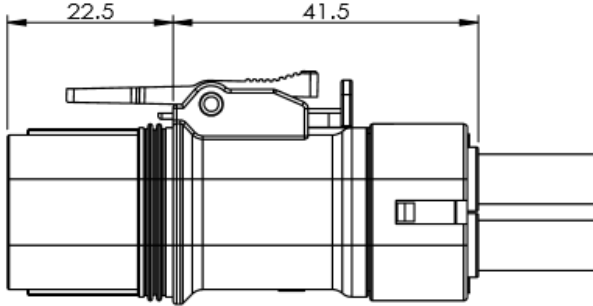
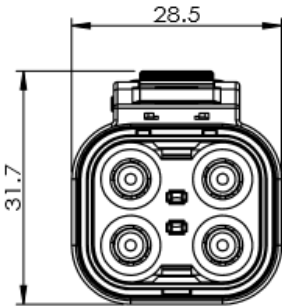
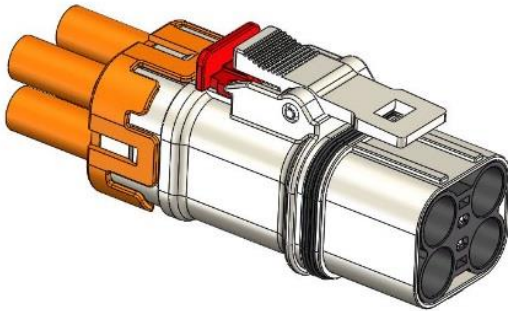


4pos receptacle keys

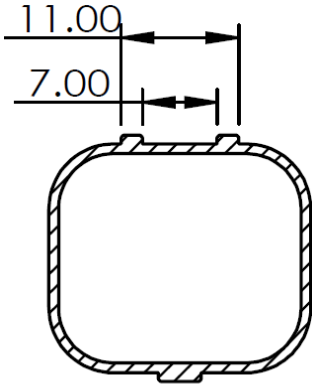


XL60

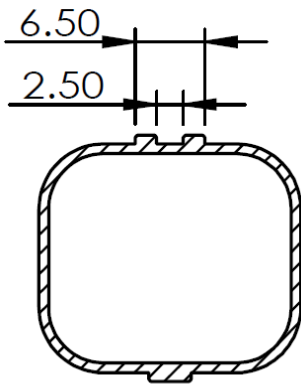
XL 60 4POS plug dimension



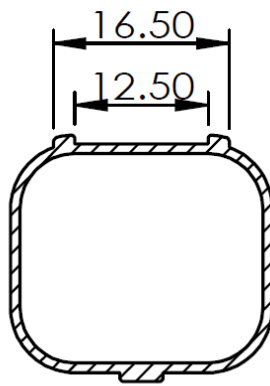
4pos plug keys:



X键位



Y键位

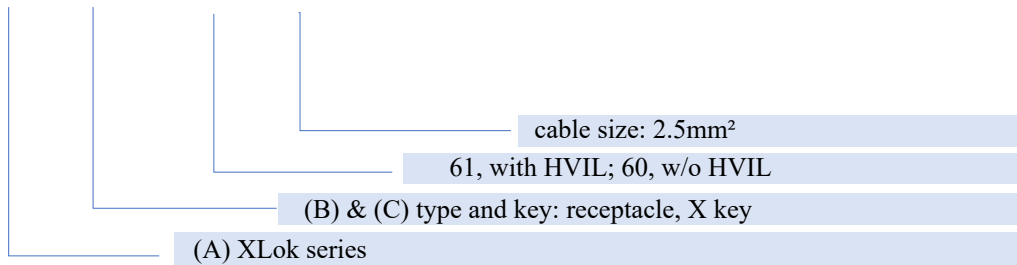


U键位

XL60 Series

receptacle ordering information

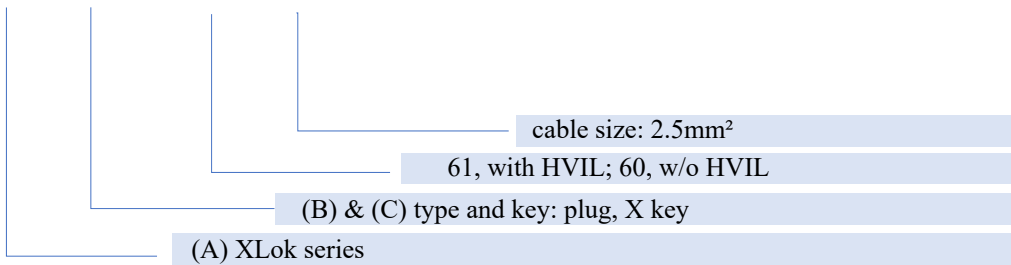
XL 082X - 61 - 2.5
 A B&C D E



(A) series		(B) connector type		(C) key & color		(D) hvil		(E) cable size w/o shielding, mm²		rated current
XL	XLoc series	082	2pos, receptacle	X	X key, orange	60	60 series w/o hvil	2.5		25A
		062	2pos, receptacle	Y	Y key, black	61	61 series with hvil	4		35A
		083	3pos, receptacle	U	U key, yellow			6		45A
		084	4pos, receptacle	Z	V key, green ps: only available for 2pos					

plug ordering information

XL 182X - 61 - 2.5
 A B&C D E



(A) series		(B) connector type		(C) key & color		(D) hvil		(E) cable size		rated current
XL	XLoc series	182	2pos, plug	X	X key, orange	60	60 series w/o hvil	2.5		25A
		183	3pos, plug	Y	Y key, black	61	61 series with hvil	4		35A
		184	4pos, plug	U	U key, yellow			6		45A
				Z	V key, green ps: only available for 2pos					

key tech parameters

rated current	200A (Max)
rated voltage	600V DC
withstand voltage	5000V DC
working temp.	-40°C to +125°C
flame retardant	UL94 V-0, GB/T 2408-2008
life circles	Min100

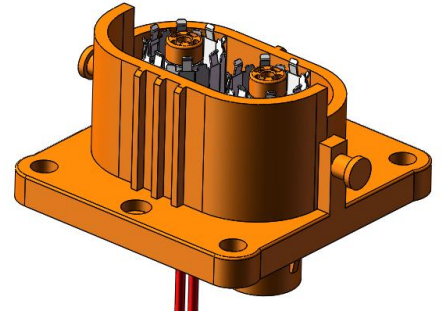
key benefits

IP grade	IP67, IP6K9K
proof hvil	Yes optional
rotation	360°
shielding keys	X/Y/U/V/W/T
no. of positions	2pos
CPA	second lock

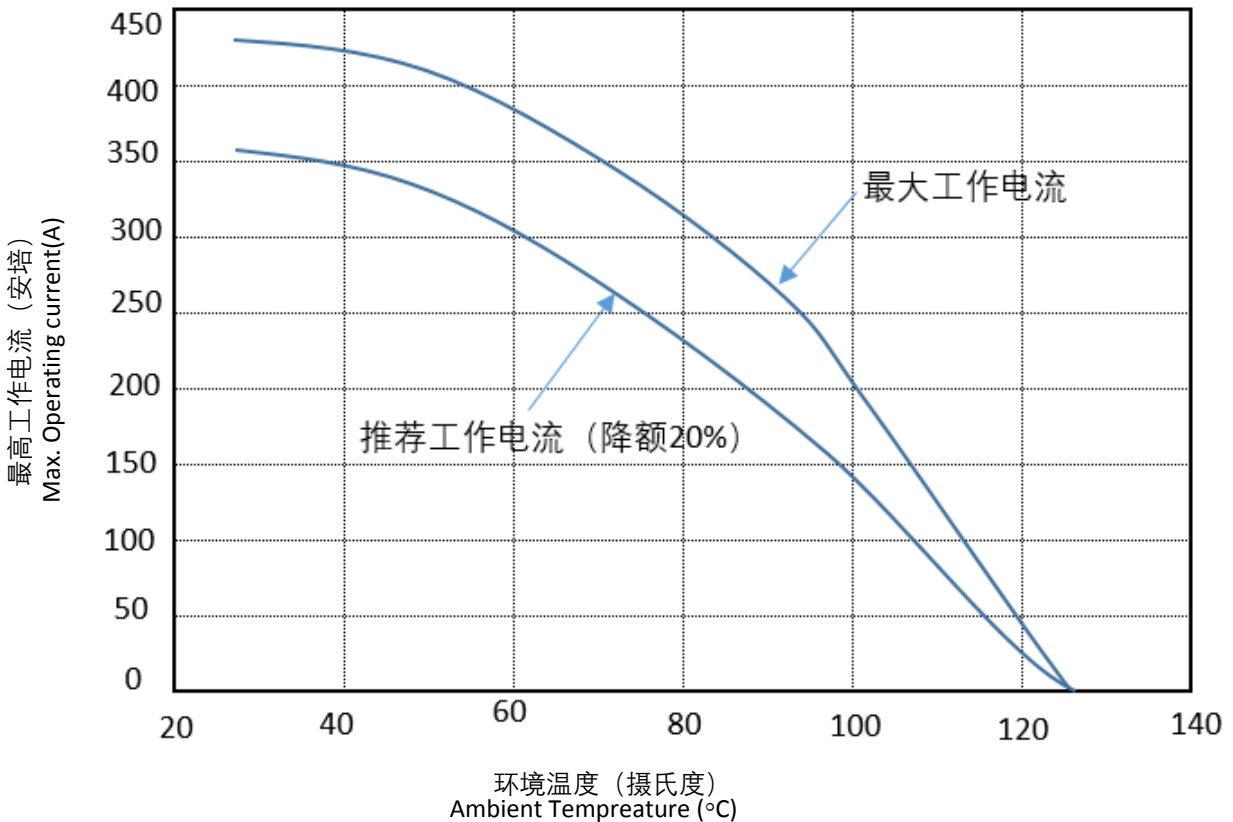
application

powertrain
ev battery pack
on-board charger
hv inverter
industrial

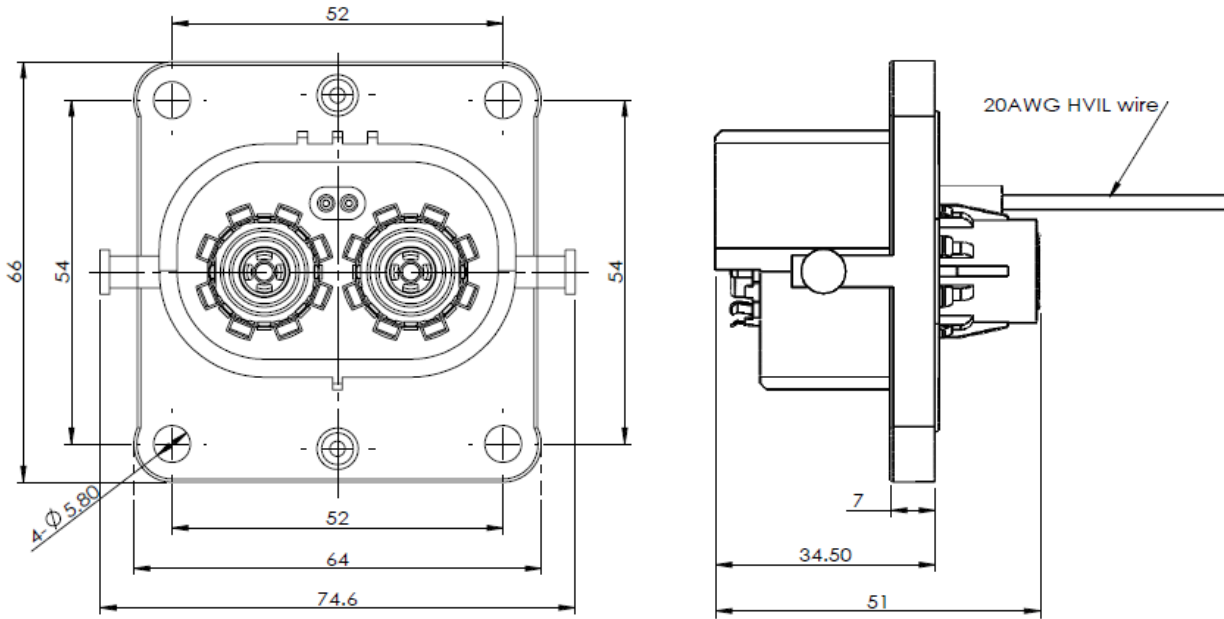
XLP200 series



XLP-200 ambient temp-operating current decline curve graph (ref. IEC 60512-5-2)

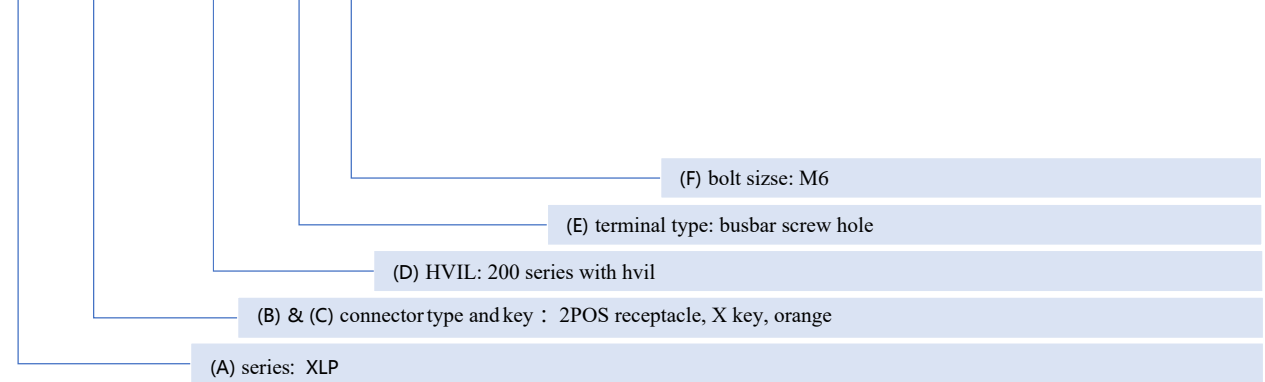


receptacle dimension

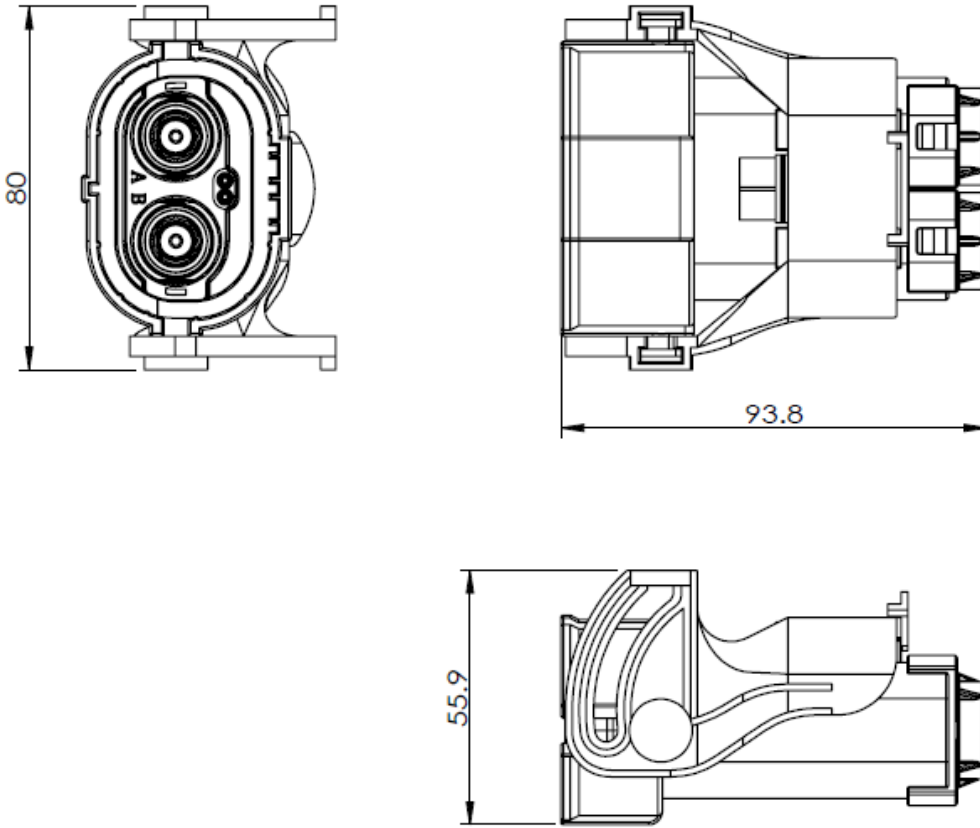


ordering information

XLP 082X - 201 - 10 M6

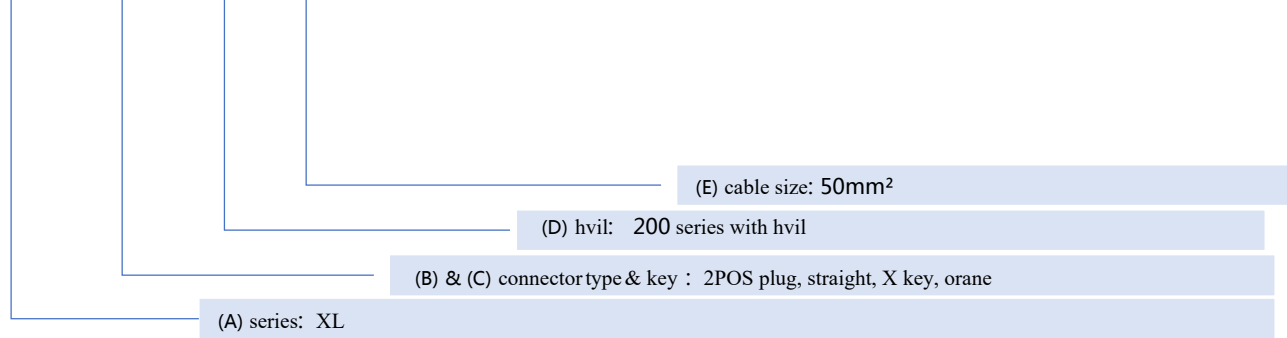


plug dimension



ordering information

XLP 182X - 201 - 50



XLP60 series

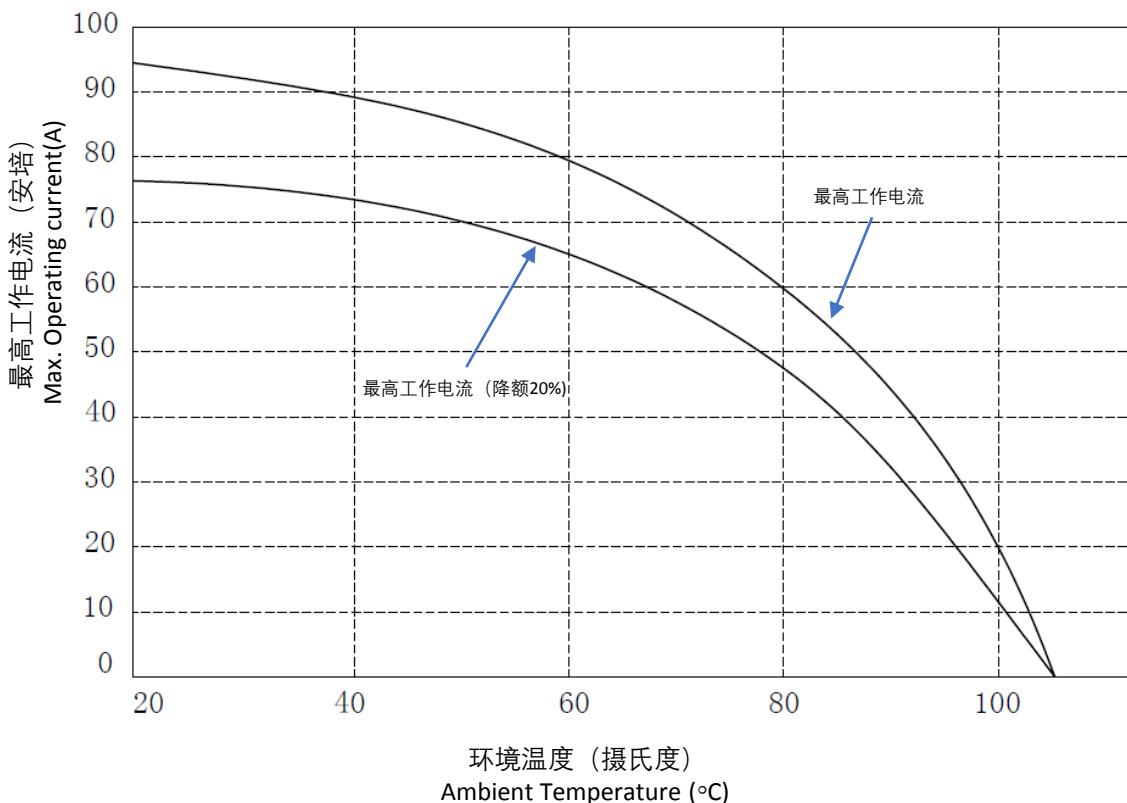


technical data	
mechanical features	
life circles	100 times (Min.)
mating force	<100N
HVIL	optional
electrical features	
rated voltage	900VDC/600VAC(Max.)
rated current	16A (Max.)
insulation resistance	>200 mΩ
dielectric strength	3900 VDC / 2200V AC
shield performance	360° shielding
ambient performance	
working temp	-40 °C to +125°C
sealing performance	IP67、IP6K9K(mating)
touch-proof	IP2XB
salt spray test	48h (Min.)

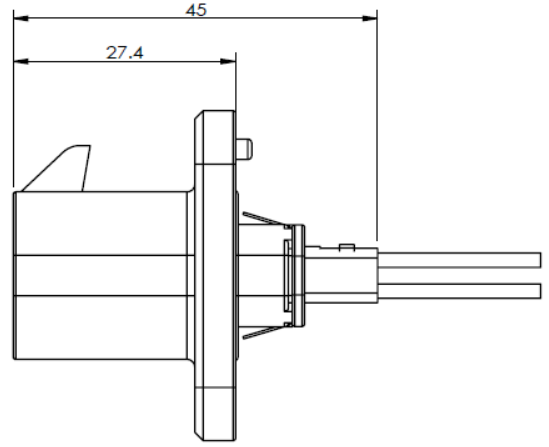
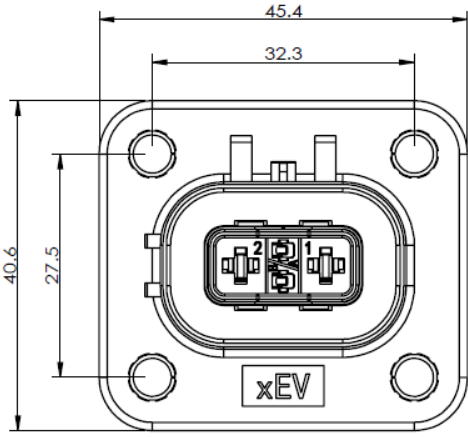
typical application

powertrain motor industrial on-board charger inverter

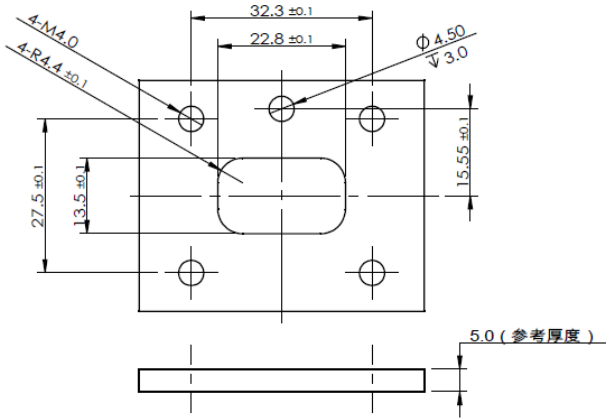
XLP-60 ambient temp-operating current decline curve graph (ref. IEC 60512-5-2)



XLP 60 2POS receptacle

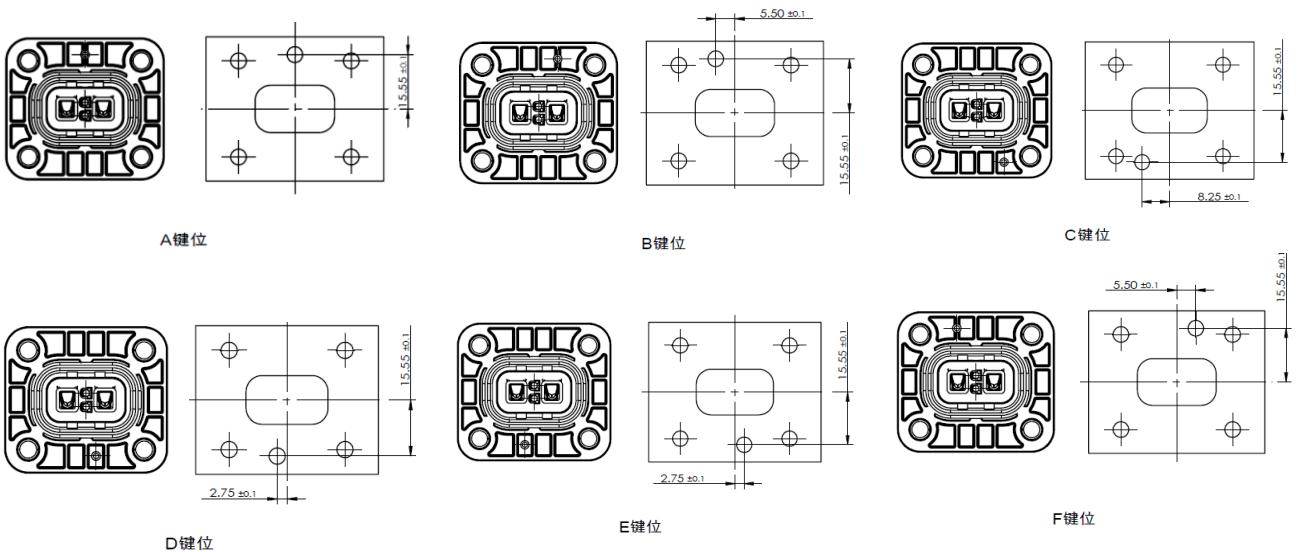


2POS receptacle panel cut-out dimension

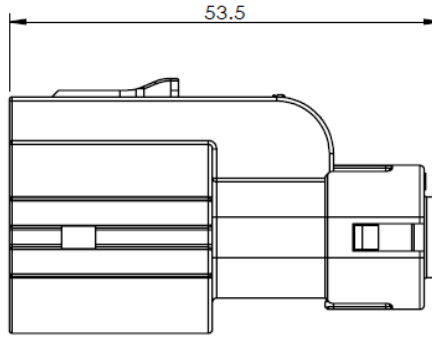
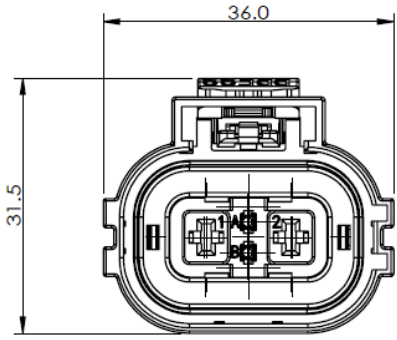


开孔尺寸 (不同键位见键位对照图)

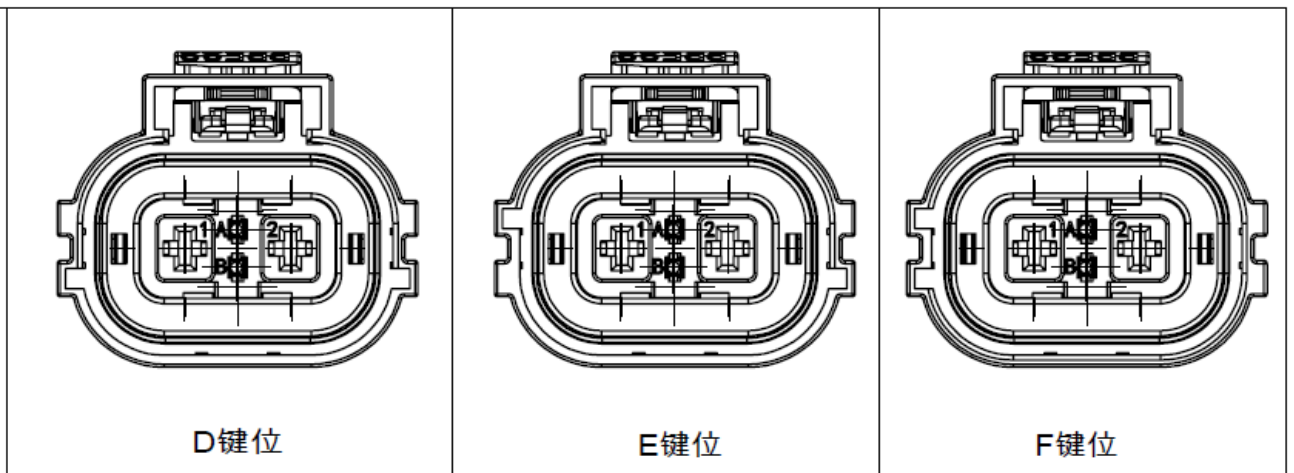
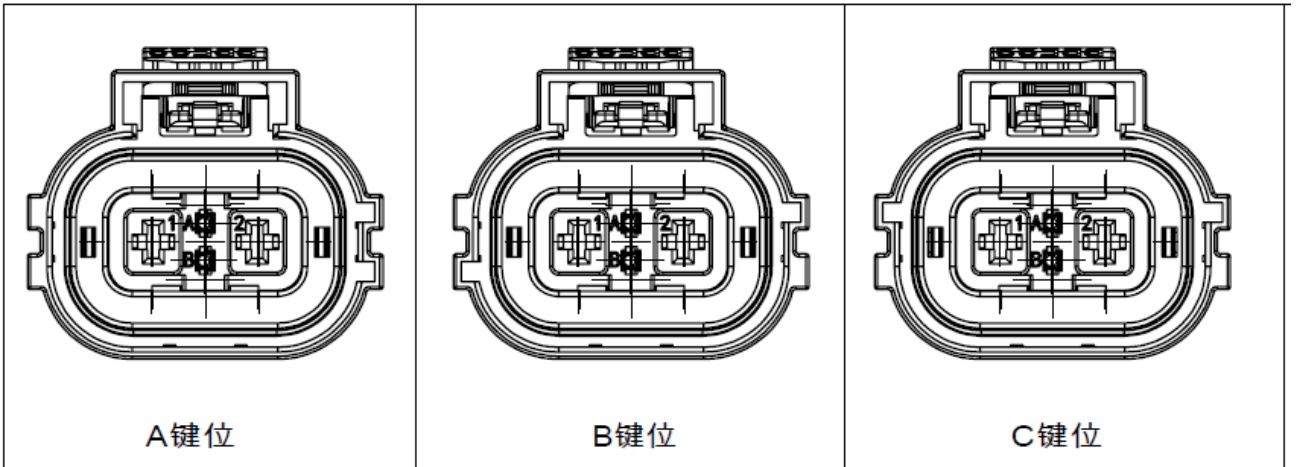
2POS receptacle keys:



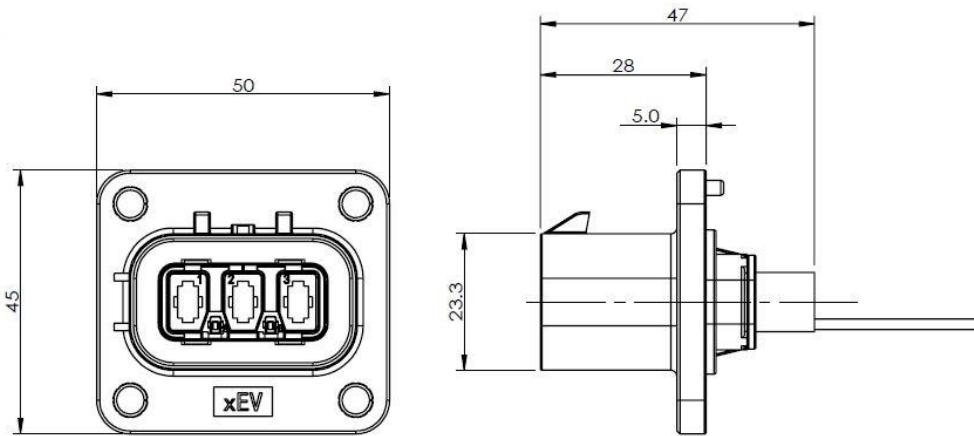
XL 60 2POS Plug



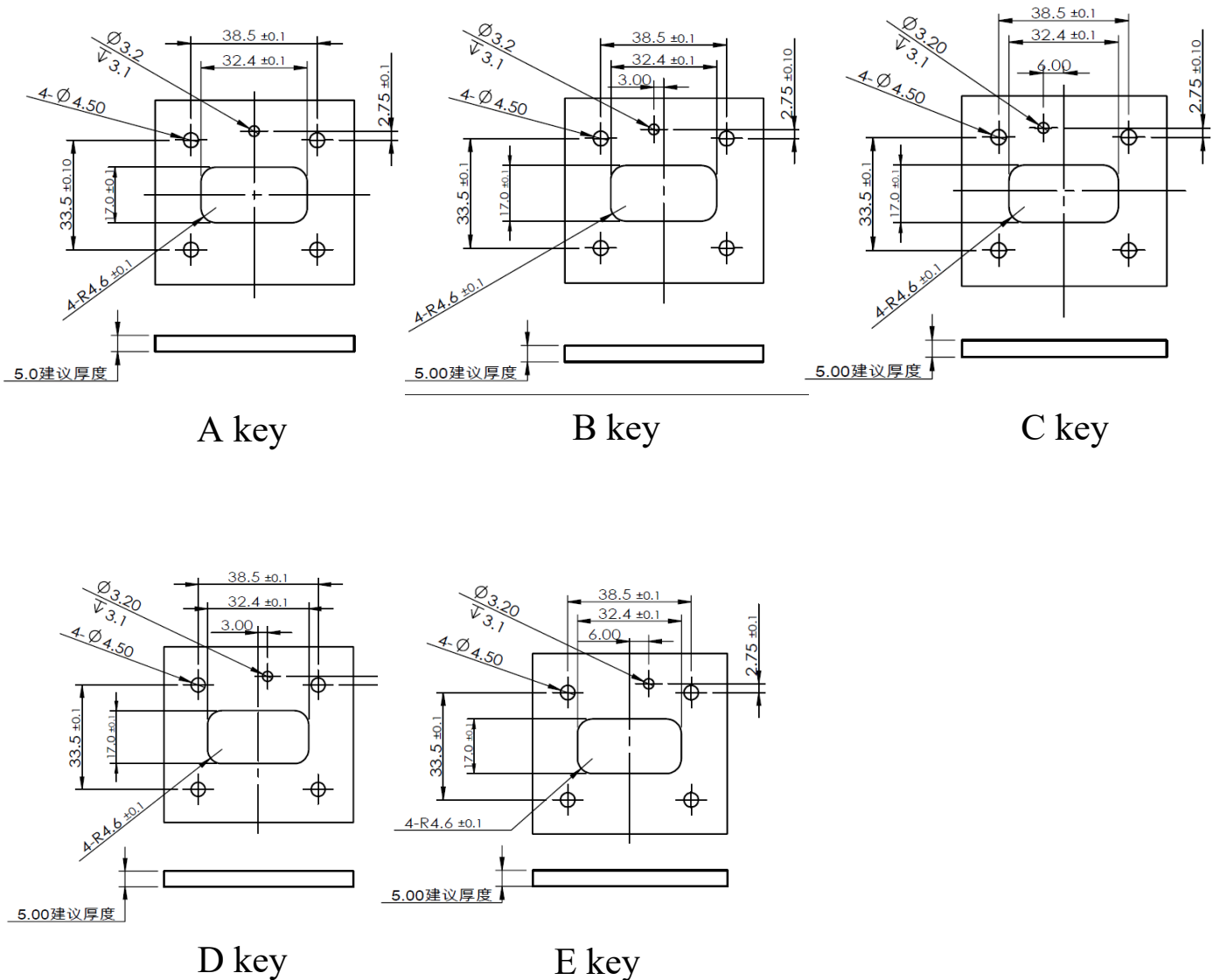
2POS plug dimension



XLP 60 3POS receptacle dimension

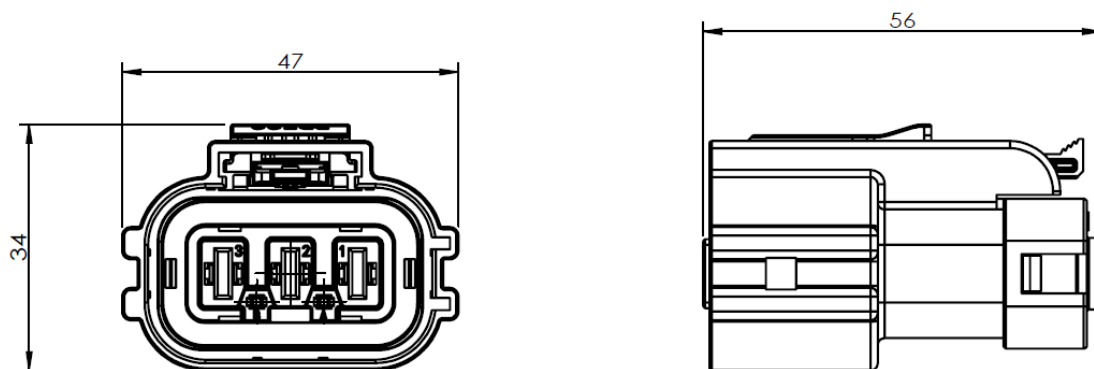


3POS receptacle panel cut-out dimension and keys

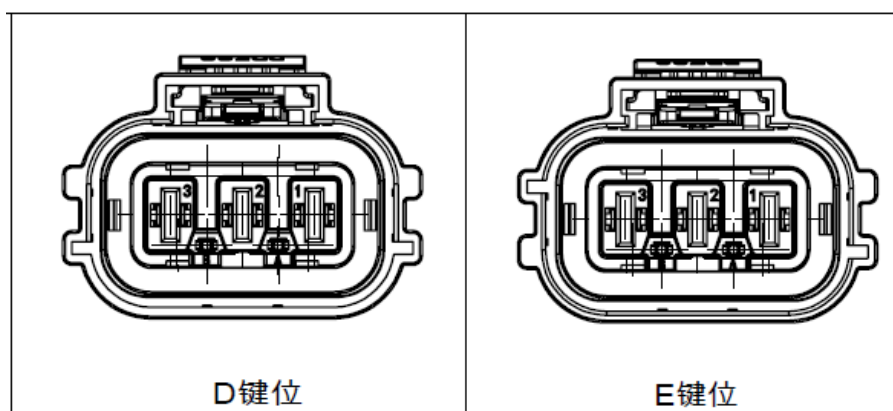
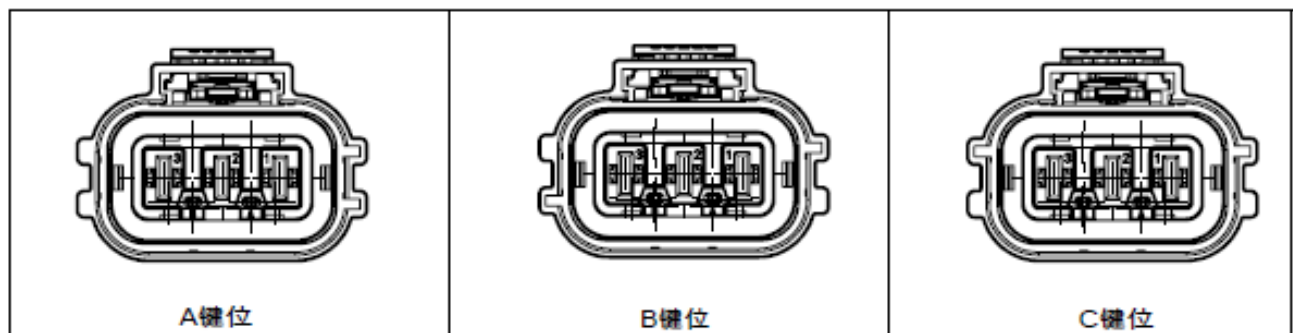


XLP 60 series

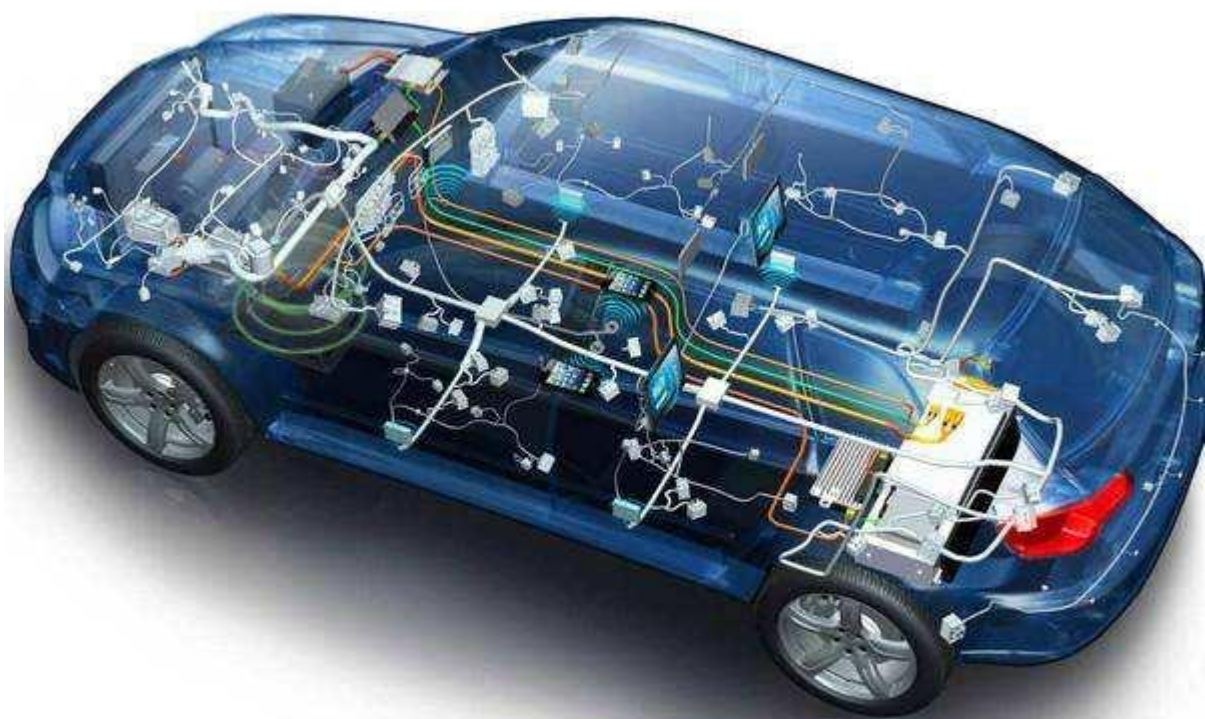
XL 60 3POS Plug dimension



3POS plug keys



XT Series Signal Connector

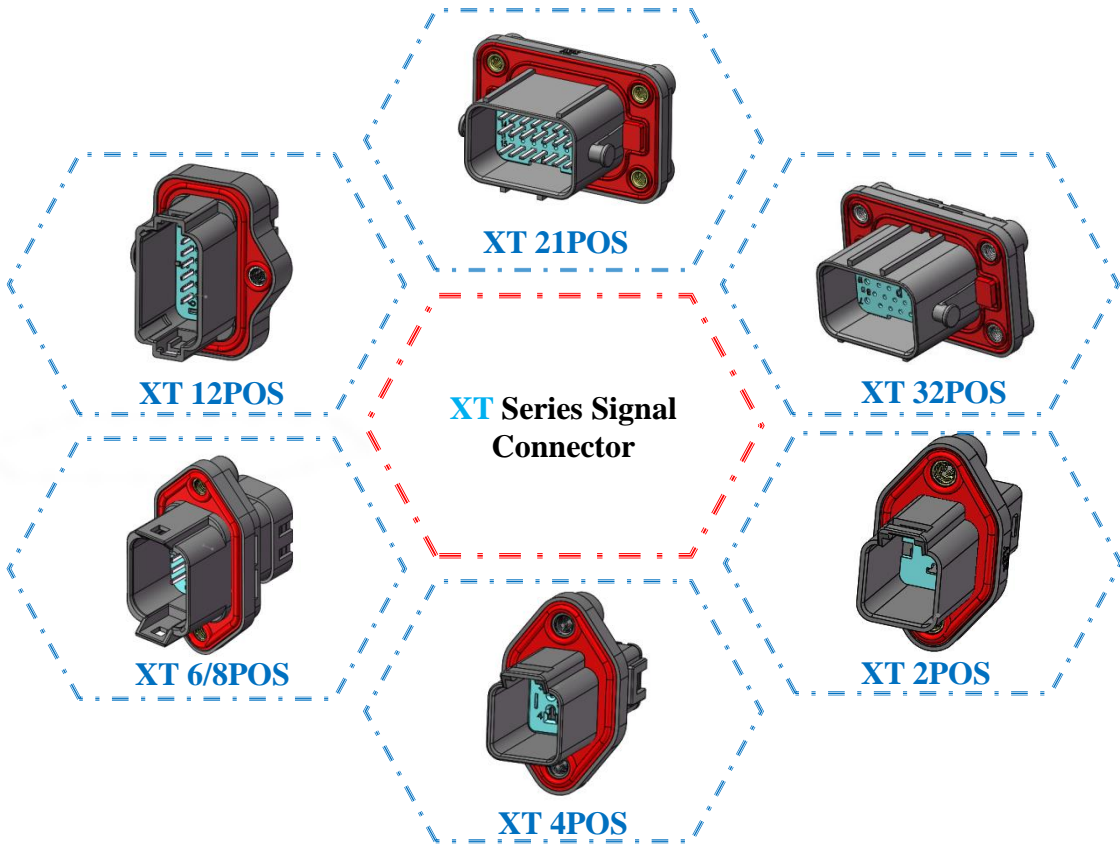


technique parameters

rated current	5A~13A
withstand voltage	1600V DC,1000VAC
No. of pole	2~32
working temp.	-40°C to +125°C
flame retardant	UL94 V-0, GB/T 2408-2008
life cycles	Min100

features and advantages

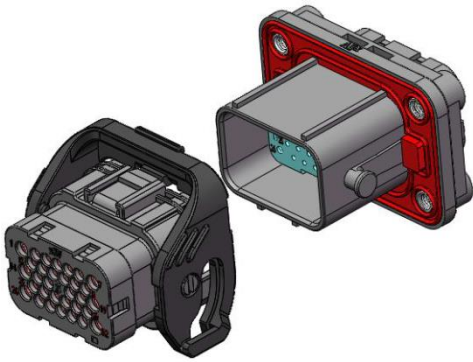
IP grade	IP67,IP6K9K (Mated)
CPA	Yes
installation type	flange
2nd lock type	lever
contact removal design	Yes



application

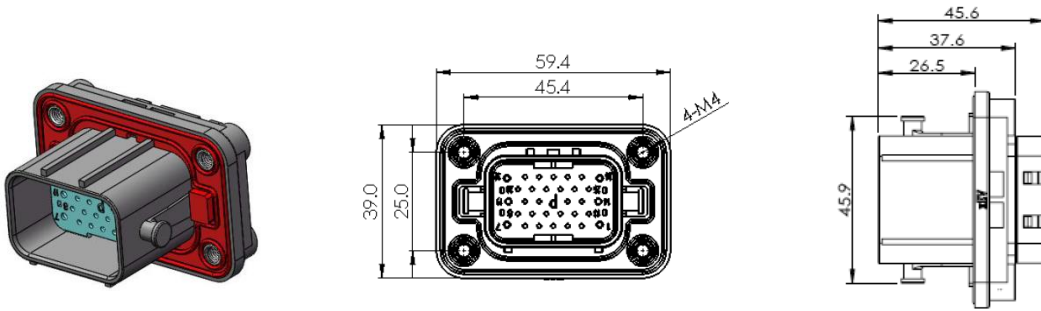
EV and HEV whole vehicle signal transmission
 battery pack, powertrain signal transmission
 wire to wire signal connector
 data communication system
 military, heavy duty industry

XT 32POS



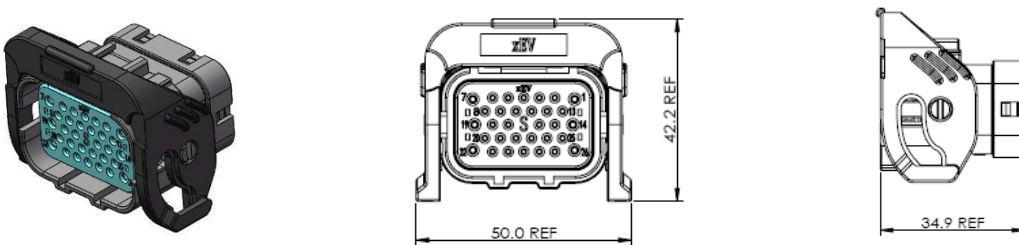
type	P/N
rcpt	XT08X-P32
plug	XT18X-S32

receptacle dimension



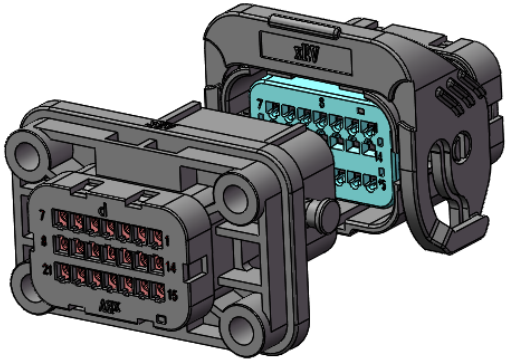
适用端子料号						
端子种类 Terminal Type	端子料号 Terminal P/N	适合电缆 Wire Range	电缆外径范围 Wire OD Range	端子数量 Terminal NO.	盲堵种类 Seal Type	盲堵料号 Seal P/N
16# Power	XTM1611	16~18AWG	2.24~3.00mm	6	16# Power	XT-SP-16
20# Signal	XTM2011	20~22AWG	1.35~2.50mm	26	20# Signal	XT-SP-20

plug dimension



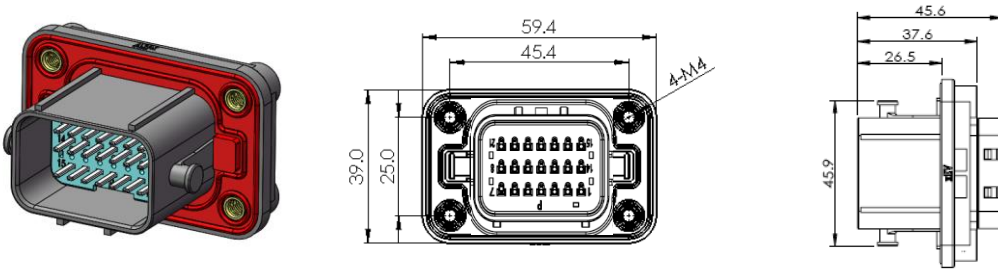
适用端子料号						
端子种类 Terminal Type	端子料号 Terminal P/N	适合电缆 Wire Range	电缆外径范围 Wire OD Range	端子数目 Terminal NO.	盲堵种类 Seal Type	盲堵料号 Seal P/N
16# Power	XTF1611	16~18AWG	2.24~3.00mm	6	16# Power	XT-SP-16
20# Signal	XTF2011	20~22AWG	1.35~2.50mm	26	20# Signal	XT-SP-20

XT 21POS



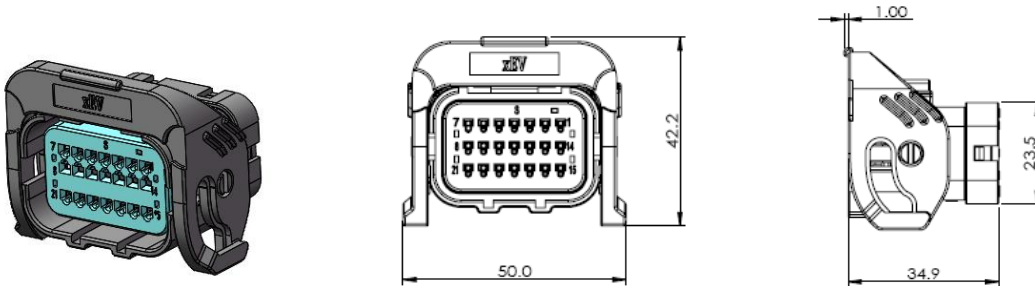
type	P/N
rcpt	XT08X-P21
plug	XT18X-S21

receptacle dimension



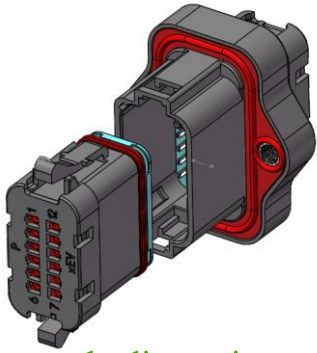
适用端子料号						
端子种类 Terminal Type	端子料号 Terminal P/N	适合电缆 Wire Range	电缆外径范围 Wire OD Range	端子数量 Terminal NO.	盲堵种类 Seal Type	盲堵料号 Seal P/N
Sicma1.5mm	XTM1522	20~22AWG	1.35~2.50mm	21	20# Signal	XT-SP-20

plug dimension



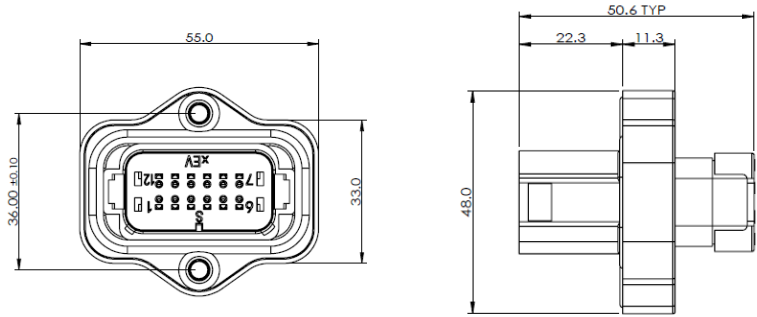
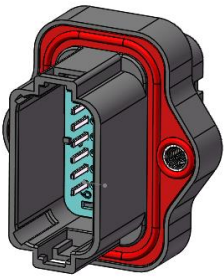
适用端子料号						
端子种类 Terminal Type	端子料号 Terminal P/N	适合电缆 Wire Range	电缆外径范围 Wire OD Range	端子数量 Terminal NO.	盲堵种类 Seal Type	盲堵料号 Seal P/N
Sicma1.5mm	XTF1522	20~22AWG	1.35~2.50mm	21	20# Signal	XT-SP-20

XT 12POS



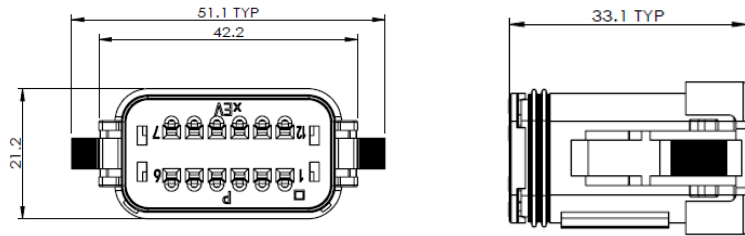
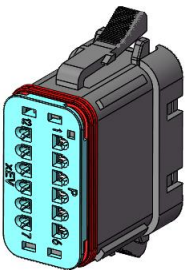
type P/N
 rcpt XT08X-P12
 plug XT18X-S12

receptacle dimension



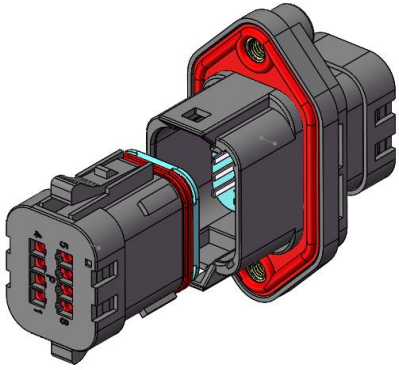
适用端子料号						
端子种类 Terminal Type	端子料号 Terminal P/N	适合电缆 Wire Range	电缆外径范围 Wire OD Range	端子数量 Terminal NO.	盲堵种类 Seal Type	盲堵料号 Seal P/N
Sicma 1.5mm	XTM1522	20~22AWG	1.35~2.50mm	12	20# Signal	XT-SP-20

plug dimension



适用端子料号						
端子种类 Terminal Type	端子料号 Terminal P/N	适合电缆 Wire Range	电缆外径范围 Wire OD Range	端子数量 Terminal NO.	盲堵种类 Seal Type	盲堵料号 Seal P/N
Sicma 1.5mm	XTF1522	20~22AWG	1.35~2.50mm	12	20# Signal	XT-SP-20

XT 8POS

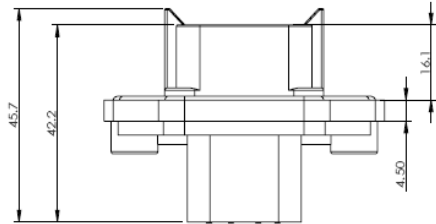
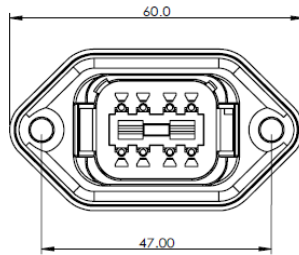


type P/N

rcpt XT08X-P8

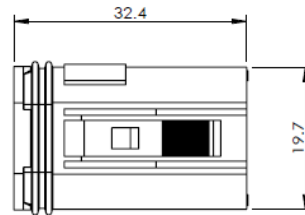
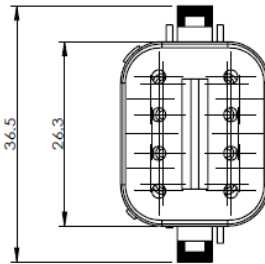
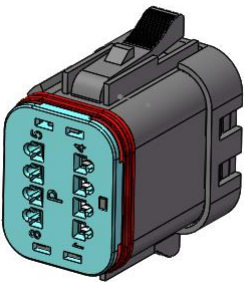
plug XT18X-S8

receptacle dimension



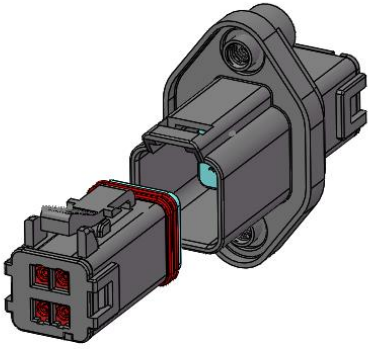
适用端子料号						
端子种类 Terminal Type	端子料号 Terminal P/N	适合电缆 Wire Range	电缆外径范围 Wire OD Range	端子数量 Terminal NO.	盲堵种类 Seal Type	盲堵料号 Seal P/N
Sicma1.5mm	XTM1522	20~22AWG	1.35~2.50mm	6~8	20# Signal	XT-SP-20

plug dimension



适用端子料号						
端子种类 Terminal Type	端子料号 Terminal P/N	适合电缆 Wire Range	电缆外径范围 Wire OD Range	端子数量 Terminal NO.	盲堵种类 Seal Type	盲堵料号 Seal P/N
Sicma1.5mm	XTF1522	20~22AWG	1.35~2.50mm	6~8	20# Signal	XT-SP-20

XT 4POS

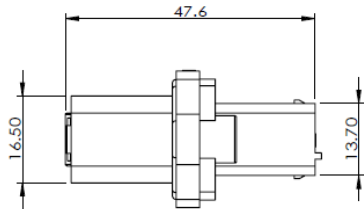
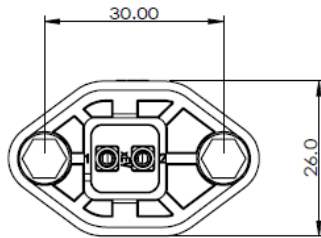
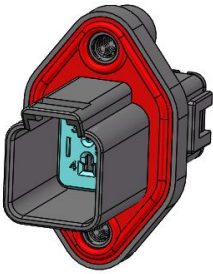


type P/N

rcpt XT08X-P4

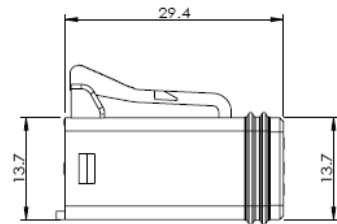
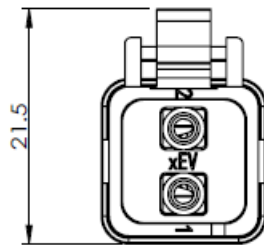
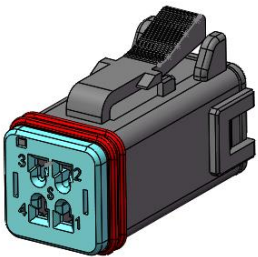
plug XT18X-S4

receptacle dimension



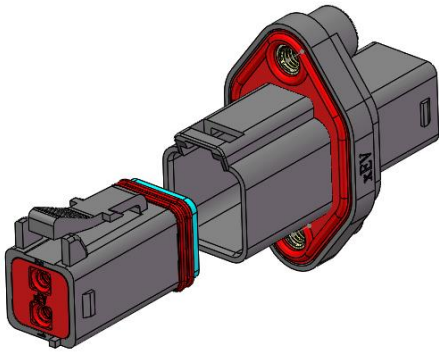
适用端子料号						
端子种类 Terminal Type	端子料号 Terminal P/N	适合电缆 Wire Range	电缆外径范围 Wire OD Range	端子数量 Terminal NO.	盲堵种类 Seal Type	盲堵料号 Seal P/N
Sigma 1.5mm	XTM1522	20~22AWG	1.35~2.50mm	4	20# Signal	XT-SP-20

plug dimension



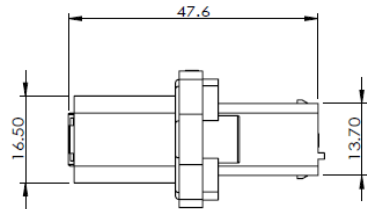
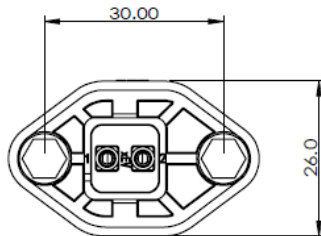
适用端子料号						
端子种类 Terminal Type	端子料号 Terminal P/N	适合电缆 Wire Range	电缆外径范围 Wire OD Range	端子数量 Terminal NO.	盲堵种类 Seal Type	盲堵料号 Seal P/N
Sigma 1.5mm	XTF1522	20~22AWG	1.35~2.50mm	4	20# Signal	XT-SP-20

XT 2POS



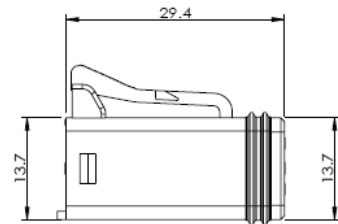
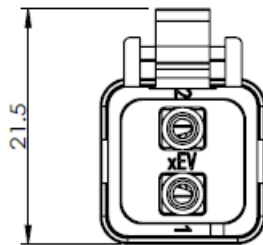
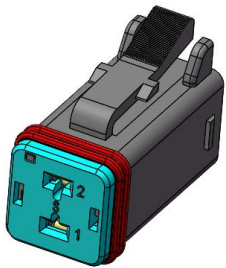
type P/N
 rcpt XT08X-P2
 plug XT18X-S2

receptacle dimension



适用端子料号						
端子种类 Terminal Type	端子料号 Terminal P/N	适合电缆 Wire Range	电缆外径范围 Wire OD Range	端子数量 Terminal NO.	盲堵种类 Seal Type	盲堵料号 Seal P/N
Sicma2.8mm	XTM1422	16~18AWG	2.24~3.00mm	2	16# Power	XT-SP-16

plug dimension



适用端子料号						
端子种类 Terminal Type	端子料号 Terminal P/N	适合电缆 Wire Range	电缆外径范围 Wire OD Range	端子数量 Terminal NO.	盲堵种类 Seal Type	盲堵料号 Seal P/N
Sicma2.8mm	XTF1422	16~18AWG	2.24~3.00mm	2	16# Power	XT-SP-16

connector order information

XT - 08 X - S - 24
 (A) (B) (C) (D) (E)

(A) series		(B) connector type		(C) key		(D) terminal type		(E) No. of Position	
XT	XT signal series	08	receptacle	X	X key	S	female pin	2	2pos
		18	plug			P	male pin	4	4pos
								6	6pos
								8	8pos
								12	12pos
								21	21pos
								32	32pos

terminal ordering information

XTM - 16 - 22
 (A) (B) (C)

(A) series		(B) cable size		(C) plating	
XT	XT signal series	14	16~18AWG	11	gold plating
		15	20~22AWG	22	tin plating
		16	16~18AWG		
		20	20~22AWG		



MSD



Mini MSD

tech parameters

fuse current	630 A Max. (per fuse spec)
rated voltage	750V Max.
working temp.	-40°C to +70°C
insulation flame retardant	UL94 V-0
life circles	Min. 50

features and advantages

options	MSD and MiniMSD
IP grading	IP67 ,IP6K9K
hvil	optional
touch proof	yes
installation type	rear and front installation
unmating method	two-stage lever system
Tool	tool-free

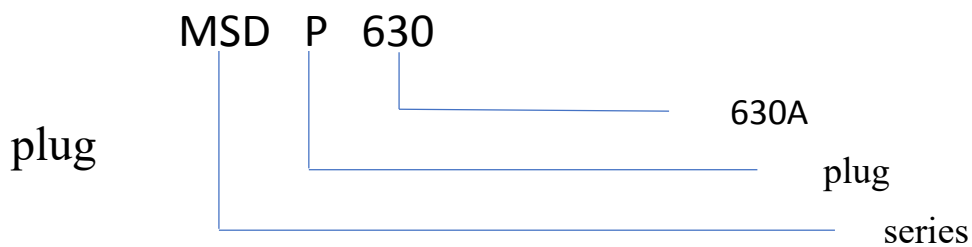
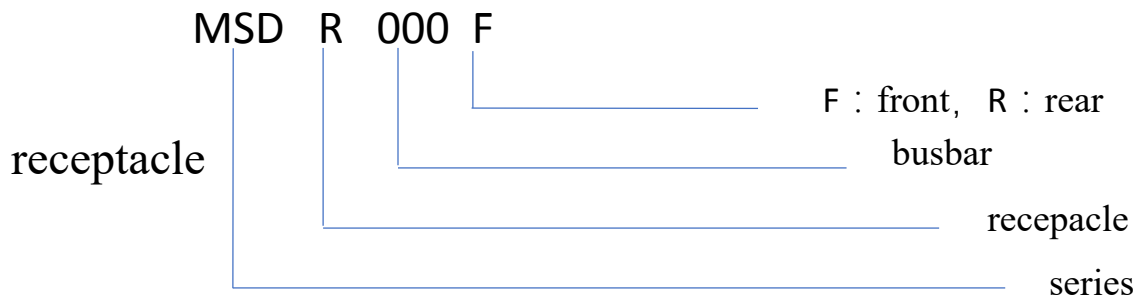
application

hv powre distribution box, hv battery pack	
--	--

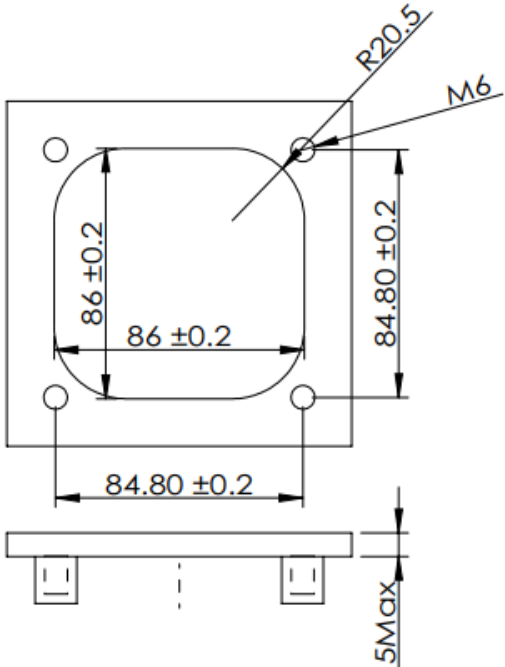
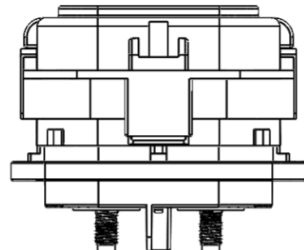
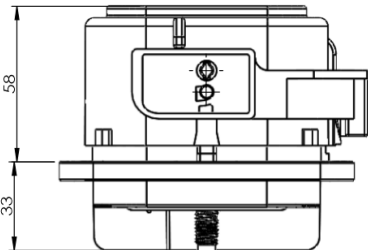
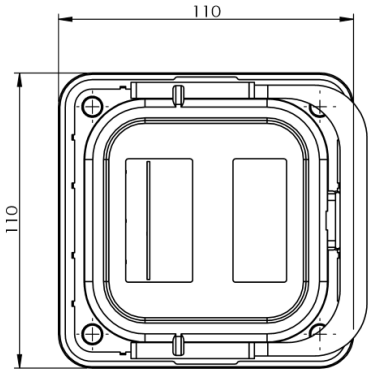
MSD ordering information

(A) series		(B) connector type		(C) fuse rated current		(D) installation way	
MSD	MSD series	R	receptacle	000	busbar, no fuse	F	front install
		P	plug	350	350A	R	rear install
				400	400A		
				450	450A		
				500	500A		
				550	550A		
				630	630A		
			熔				

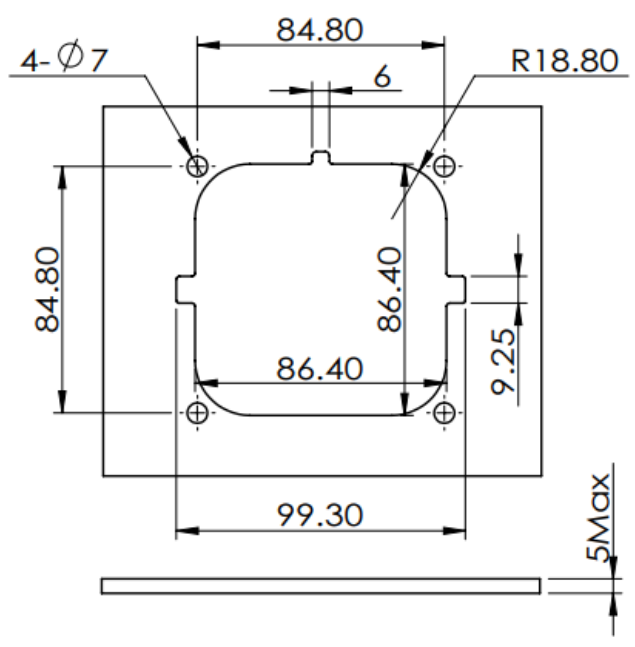
MSD ordering information



MSD receptacle dimension



front install

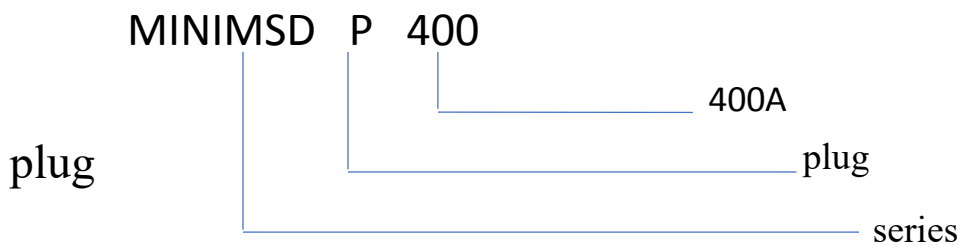


rear install

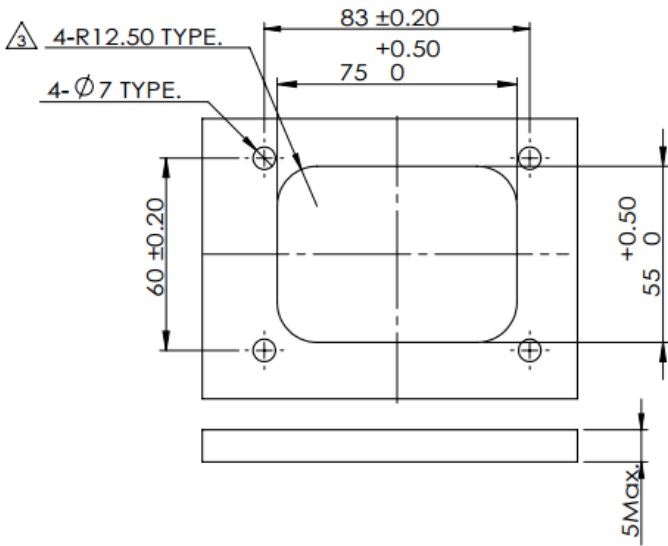
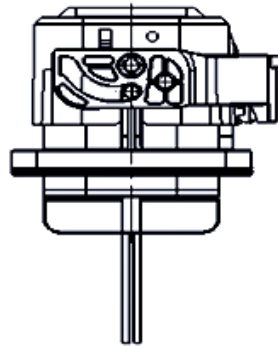
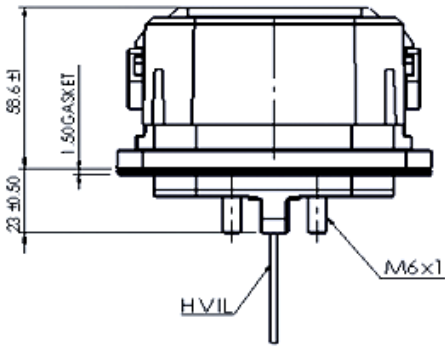
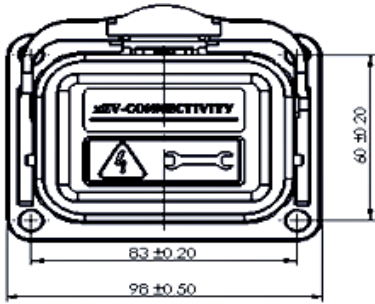
MINIMSD order information

(A) series		(B) connector type		(C) fuse rated current		(D) installation way	
MSD	MINI MSD	R	receptacle	000	busbar, no fuse	F	front install
		P	plug	080	80A	R	rear install
				100	100A		
				125	125A		
				160	160A		
				200	200A		
				250	250A		
				315	315A		
				350	350A		
				400	400A		

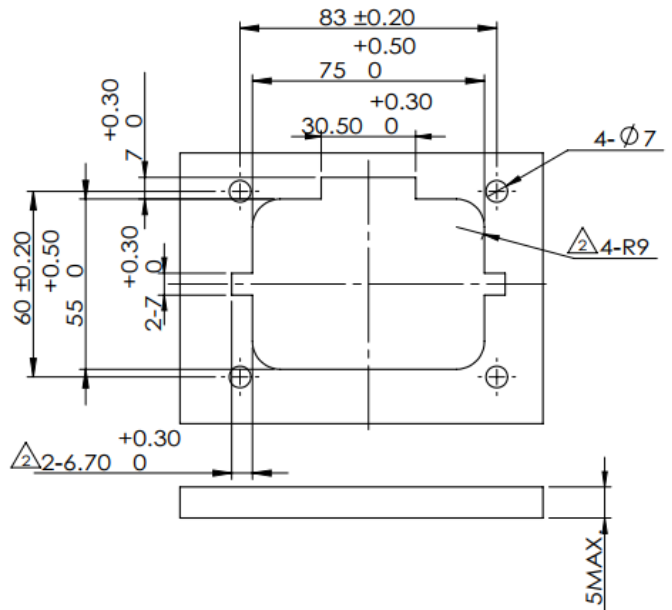
MINIMSD order information



MINIMSD dimension



front install



rear install