

High Voltage Interlocking Connector



Renhotec Group Limited



CONTENTS
目录

| | |
|----|----------------|
| 01 | HVIL125 series |
| 02 | HVIL350 series |
| 03 | TL200 series |
| 04 | TL300 series |
| 05 | TL500 series |
| 06 | XL60 series |
| 07 | XLP200 series |
| 08 | XLP60 series |
| 09 | XT series |
| 10 | MSD series |



Tel: +86 (0)27 81296316
Website: www.renhotecev.com
E-mail: sale@renhotecev.com

key technical data

| | |
|-------------------|--------------------------|
| rated current | 125A (Max) rated current |
| rated voltage | 1000V DC |
| withstand voltage | 5000V DC |
| working temp. | -40°C to +125°C |
| flame retardant | UL94 V-0, GB/T 2408-2008 |
| mating circles | Min 100 times |

key benefits

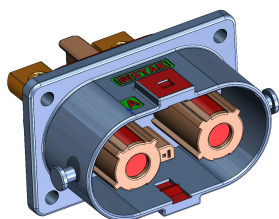
| | |
|-----------------|-------------|
| IP grade | IP67,IP6K9K |
| touch proof | Yes |
| hvil fuction | optional |
| shielding | 360° |
| keys | A/Y/U |
| no. of position | 2pos |



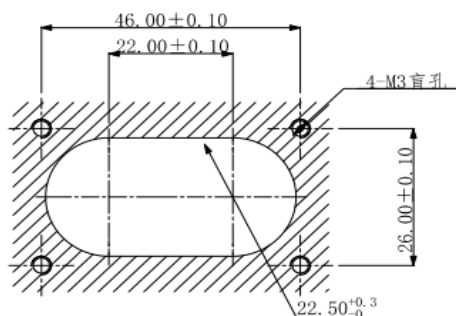
application

- powertrain
- ev battery pack
- on-board charger
- hv inverter
- industrial

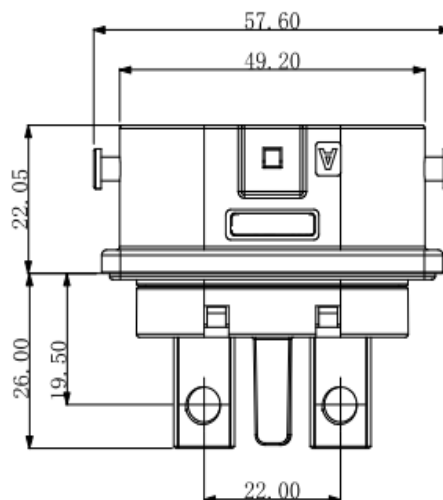
receptacle dim.



2pos receptacle

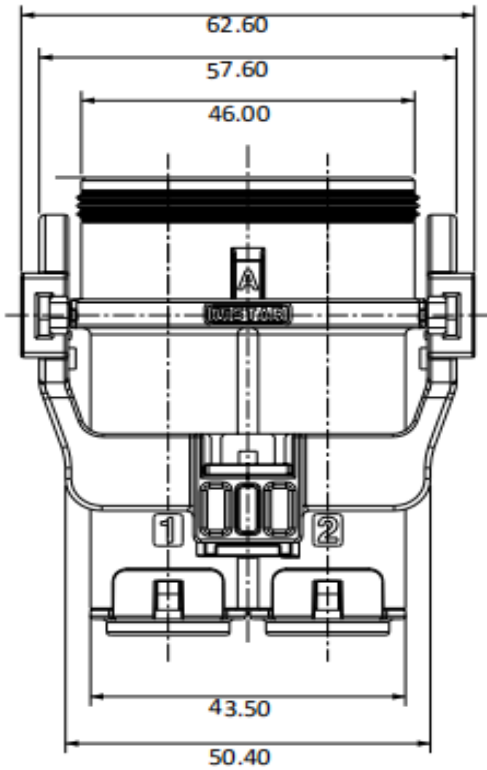


panel cut-out dim.

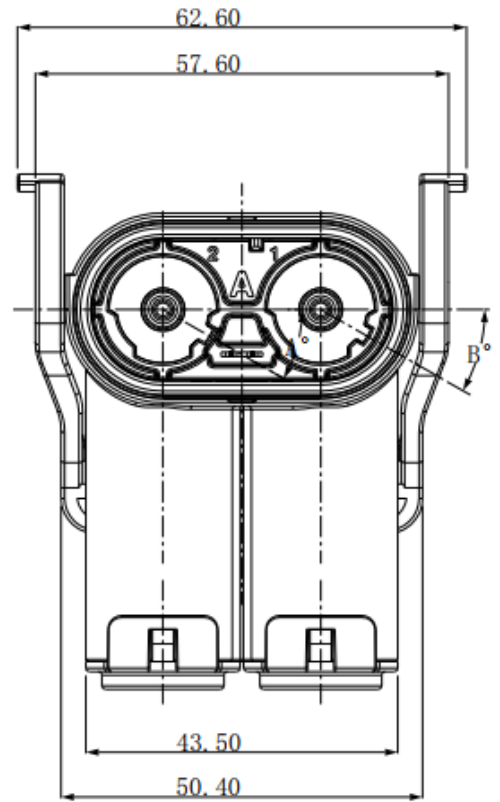


receptacle dim.

plug dim.



straight plug



angular plug

receptacle and plug ordering info

| | | | | | | | | | |
|---|---|----|----|-----|----|---|---|---|-----|
| NI | 1 | -1 | -S | 060 | -2 | A | Y | A | C08 |
| series | | | | | | | | | |
| shel material (1 metal; 2: thermoplastic) | | | | | | | | | |
| shield or not (1. shield 2. unshield) | | | | | | | | | |
| shell type (B: angled plug; S: straight plug; H: receptacle with flange) | | | | | | | | | |
| contact diameter: $\phi 6.0$ mm contact | | | | | | | | | |
| number of position | | | | | | | | | |
| A: A key Y: Y key | | | | | | | | | |
| Y: with hvil N: without hvil | | | | | | | | | |
| color of lock tab (A: orange B: black) | | | | | | | | | |
| termination way (T07: busbar type with M6 screw hole; C08: 25mm ² wire crimping; C07: 16mm ² wire crimping) | | | | | | | | | |

key technical data

| | |
|-------------------|---|
| rated current | 350A (Max) |
| rated voltage | 1000V DC |
| withstand voltage | 5000V DC |
| working temp. | -40°C to +125°C |
| flame retardant | UL94 V-0, GB/T 2408-2008 Min 100 times |

key benefits

| | |
|-----------------|-------------|
| IP grade | IP67,IP6K9K |
| Touch Proof | Yes |
| HVIL Function | optional |
| Shielding | 360° |
| Keys | A/Y/U/V/W |
| no. of position | 1pos |

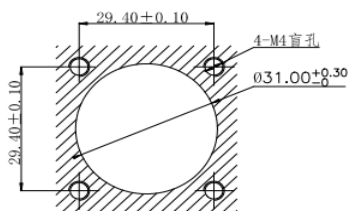
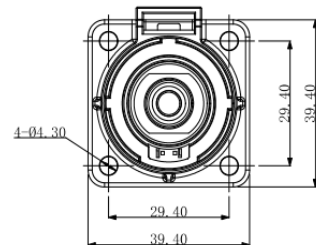
- Powertrain
- ev battery pack
- on-board charger
- HV inverter
- Industrial



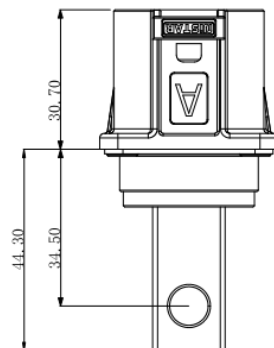
receptacle dim.



1pos receptacle

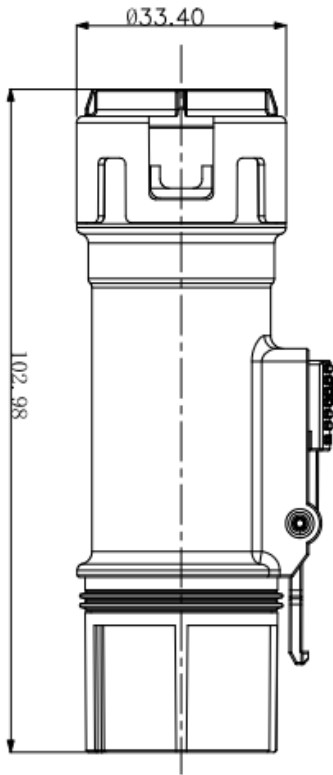


panel cut-out dim.

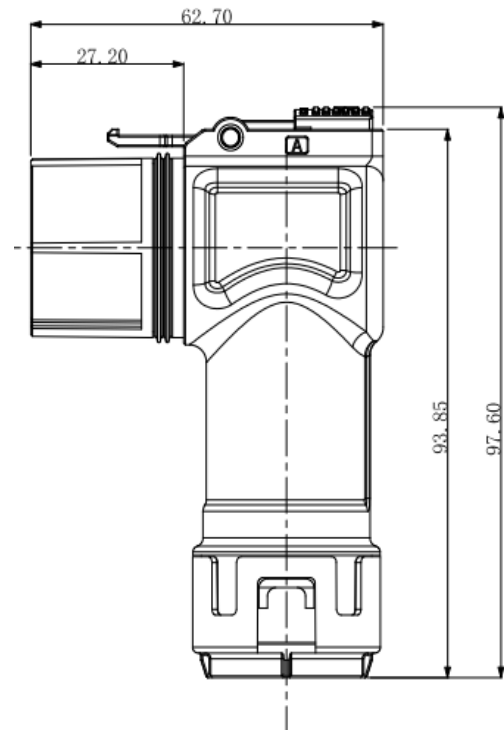


receptacle dim.

plug dim.



straight plug



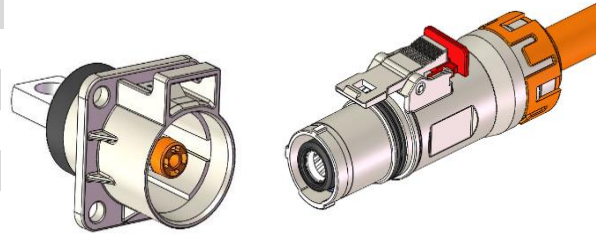
angular plug

receptacle and plug ordering info

| | | | | | | | | | |
|--|---|----|----|-----|----|---|---|---|-----|
| NI | 1 | -1 | -S | 120 | -1 | A | Y | A | C12 |
| series | | | | | | | | | |
| shel material (1 metal; 2: thermoplastic) | | | | | | | | | |
| shield or not (1: shield; 2: unshield) | | | | | | | | | |
| shell type (B: angled plug; S: straight plug; H: receptacle with flange) | | | | | | | | | |
| contact diameter: $\phi 12.0\text{mm}$ contact | | | | | | | | | |
| number of position | | | | | | | | | |
| A: A key Y: Y key | | | | | | | | | |
| Y: with hvil N: without hvil | | | | | | | | | |
| color of lock tab & touchproof cap (A: orange; B: black) | | | | | | | | | |
| termination way (T09: busbar type with M10 screw hole; C10: 50mm ² wire crimping; C11: 70mm ² wire crimping; C12: 95mm ² wire crimping) | | | | | | | | | |

key technical data

| | |
|-------------------|--------------------------|
| rated current | 200A (Max) rated current |
| rated voltage | 1000V DC |
| withstand voltage | 5000V DC |
| working temp. | -40°C to +125°C |
| flame retardant | UL94 V-0, GB/T 2408-2008 |
| mating circles | Min 100 times |



key benefits

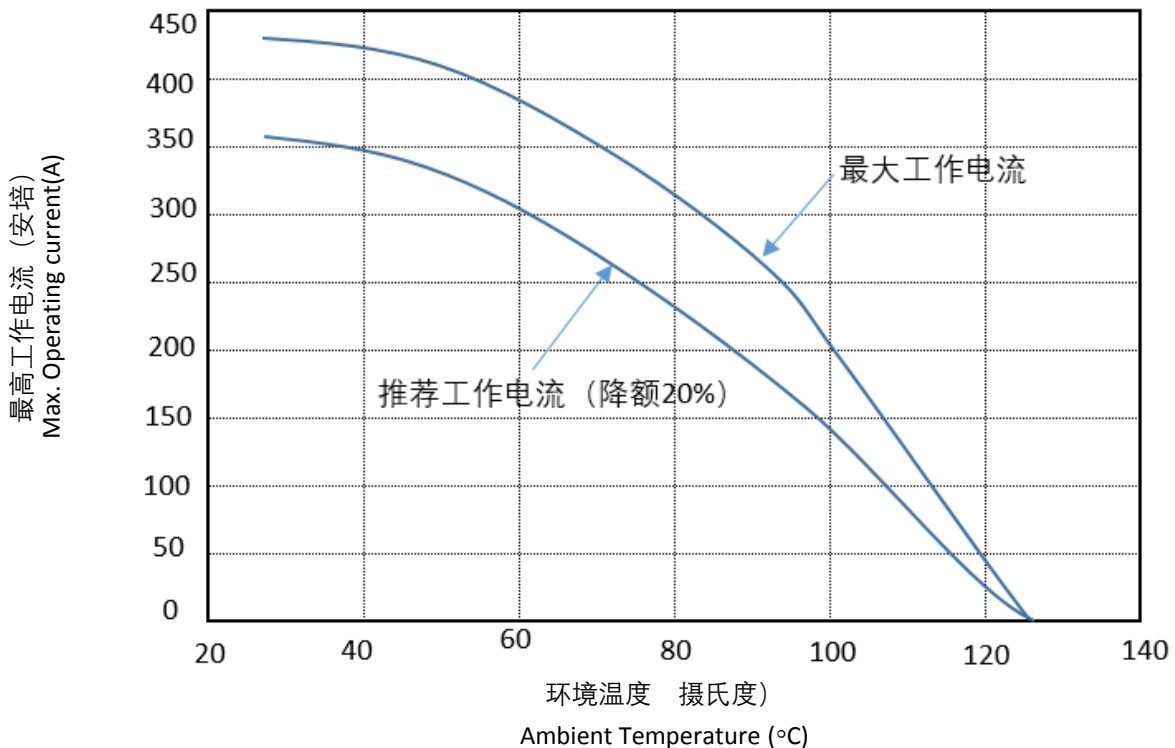
| | |
|-----------------|--------------|
| IP grade | IP67, IP6K9K |
| touch proof | Yes |
| hvil function | optional |
| shielding | 360° |
| keys | X/Y/U/V/W/T |
| no. of position | 1pos |



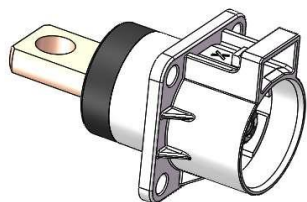
application

- powertrain
- ev battery pack
- on-board charger
- hv inverter
- industrial

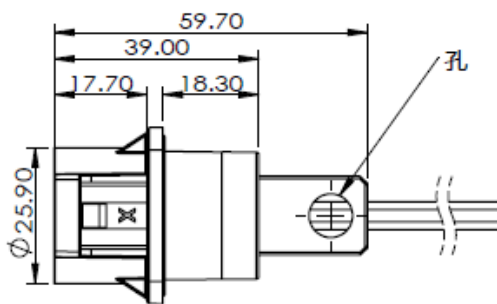
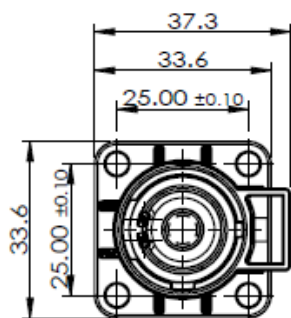
TL200 ambient temp-operating current decline curve graph (ref. IEC 60512-5-2)



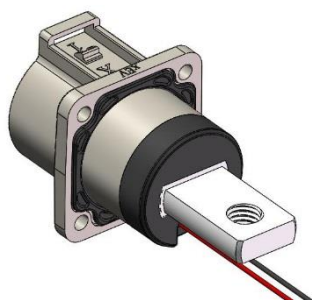
receptacle dim.



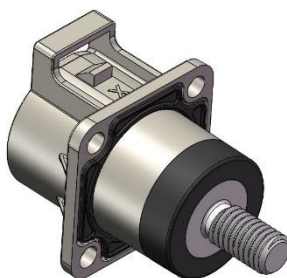
single pole receptacle



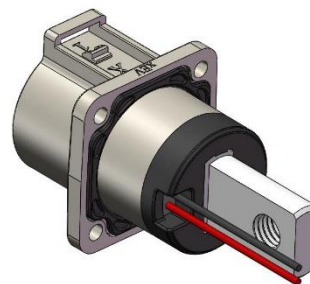
terminal type



busbar
("E" 10)

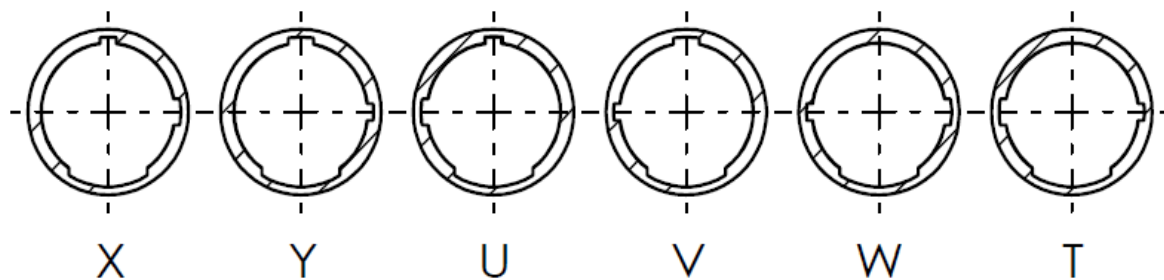


threaded bolt
("E" 20)

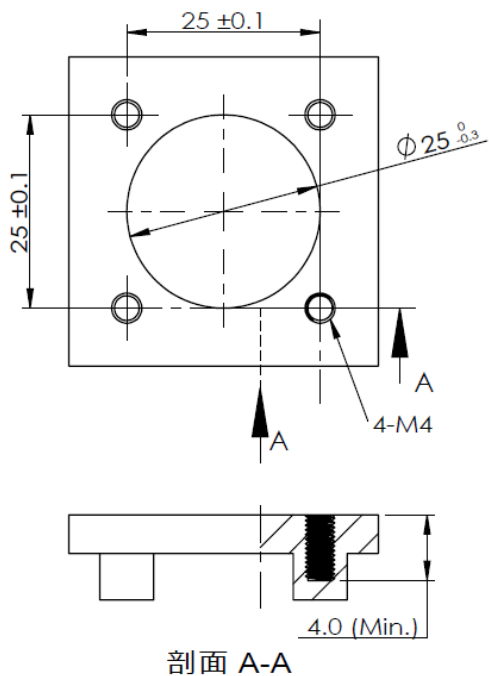


90° busbar
("E" 90)

error-proof keys



panel cut-out dim.



receptacle ordering info:

TL 00X - 201 - 10 M8
 A B&C D E F

(F) terminal dim: M8 hole

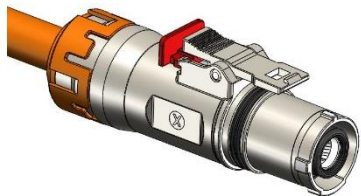
(E) terminal type: busbar

(D) hvil: 200 series with hvil

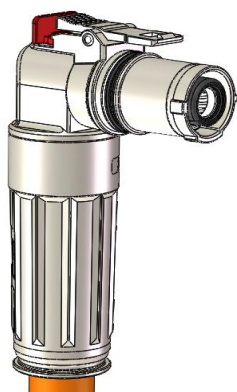
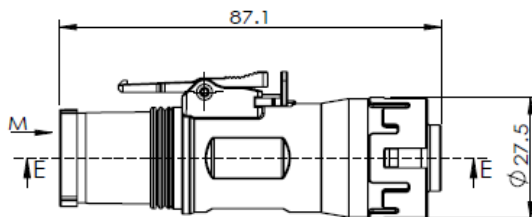
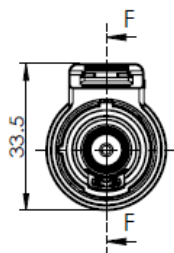
(B) & (C) type and key: 1pos receptacle, x key, orange

(A) TL series

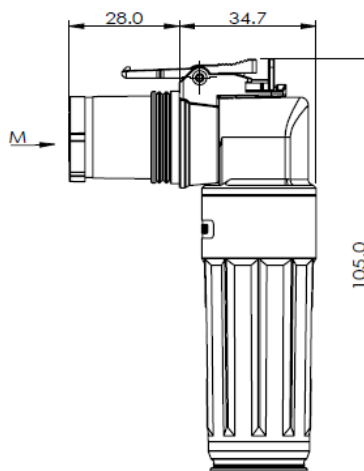
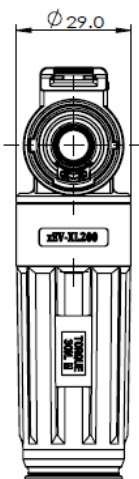
plug dim.



1pos plug, straight

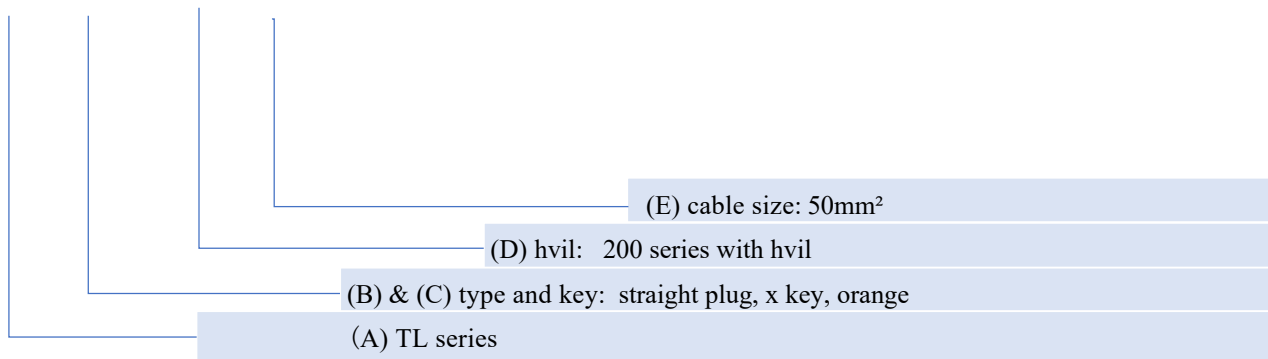


1pos plug, right angle



plug ordering info:

TL 18X - 201 - 50
 A B&C D E



receptacle ordering info:

| (A) series | | (B) connector type | | (C) keys and color | | (D) HVIL | | (E) terminal type | | (F) busbar hole type | |
|------------|------|--------------------|------------|--------------------|--------|----------|-----------|-------------------|---------------|----------------------|--------|
| TL | Tlok | 00 | receptacle | X | orange | 201 | with hvil | 10 | busbar | screw hole | M8/M10 |
| | | | | Y | black | 200 | w/o hvil | | | hole | D8/D10 |
| | | | | U | yellow | | | 20 | threaded bolt | screw hole | M8/M10 |
| | | | | V | green | | | 90 | 90°busbar | screw hole | M8/M10 |
| | | | | W | red | | | | | hole | D8/D10 |
| | | | | T | blue | | | | | | |

plug ordering info:

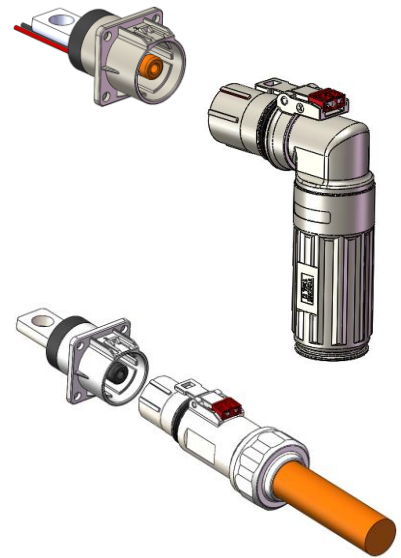
| (A)series | | (B)connector type | | (C)keys and color | | (D)HVIL | | (E)cable size | |
|-----------|------|-------------------|---|-------------------|--------|---------|-----------|---------------|-------------------|
| TL | Tlok | 18 | 1POS, straight plug, for shield cable | X | orange | 201 | with hvil | 25 | 25mm ² |
| | | 28 | 1POS, angled plug, for shield cable | Y | black | 200 | w/o hvil | 35 | 35mm ² |
| | | 48 | 1POS, straight plug, for unshield cable | U | yellow | | | 50 | 50mm ² |
| | | 58 | 1POS, angled plug, for unshield cable | V | green | | | | |
| | | | | W | red | | | | |
| | | | | T | blue | | | | |

key tech parameters

| | |
|---------------------|--------------------------|
| rated current rated | 300A (Max) rated current |
| rated voltage | 1000V DC |
| withstand voltage | 5000V DC |
| working temp. | -40°C to +125°C |
| flame retardant | UL94 V-0, GB/T 2408-2008 |
| life circles | Min100 |

key benefits

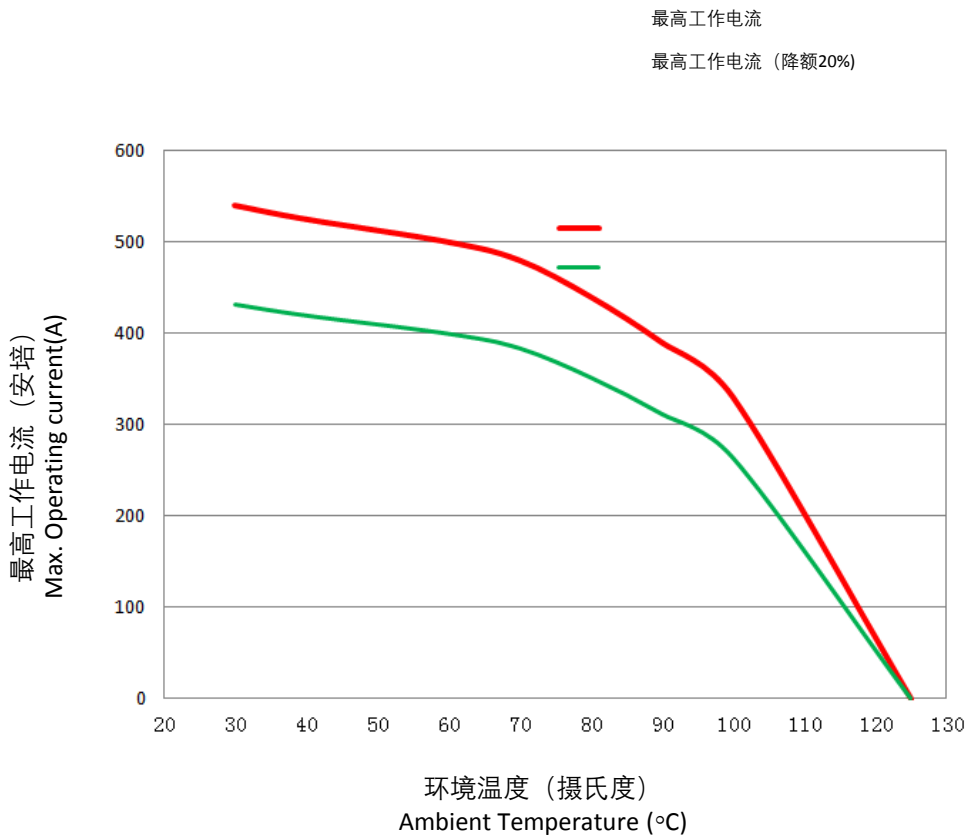
| | |
|-----------------|-------------|
| IP grade | IP67,IP6K9K |
| touch proof | Yes |
| hvil fuction | optional |
| shielding | 360° |
| keys | X/Y/U/V/W/T |
| no. of position | 1pos |



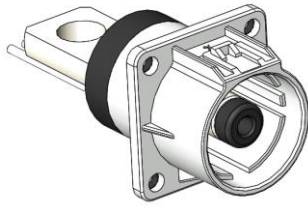
application

- powertrain
- ev battery pack
- on-board charger
- hv inverter
- industrial

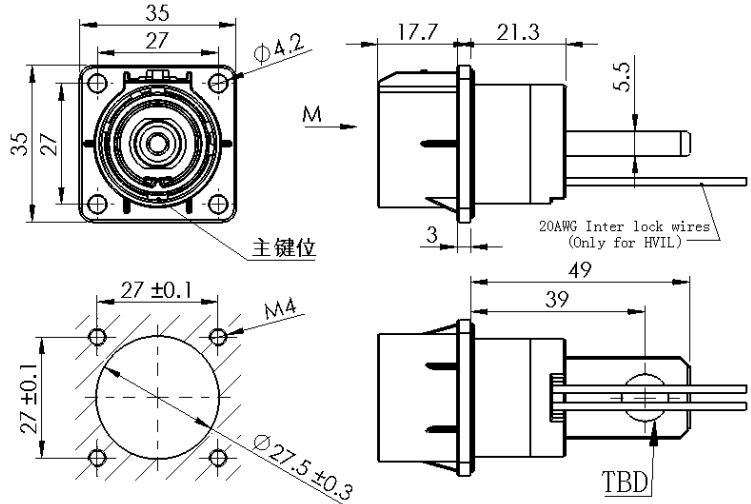
TL300 ambient temp-operating current decline curve graph (ref. IEC 60512-5-2)



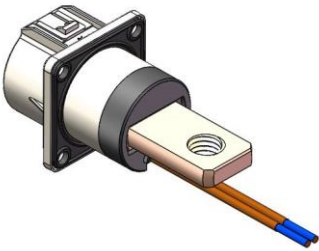
插座尺寸参数



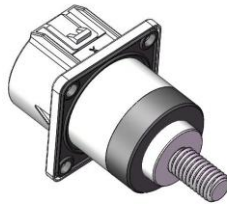
Ipos receptacle



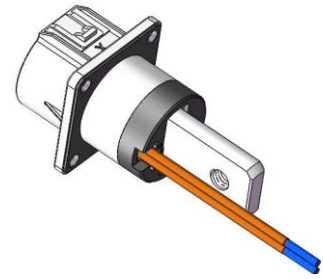
terminal type



busbar



threaded bolt



90° busbar

ordering info

TL 00X - 301 - 10 M10
A B&C D E F

(F) terminal dim: M10 hole

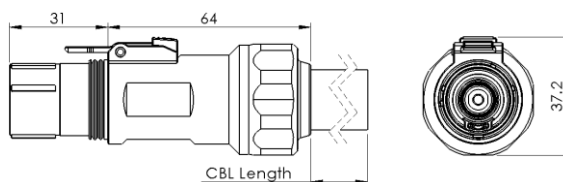
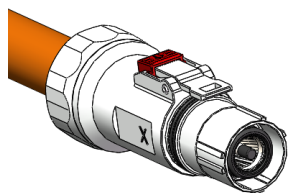
(E) terminal type: busbar

(D) hvil: 300 series with hvil

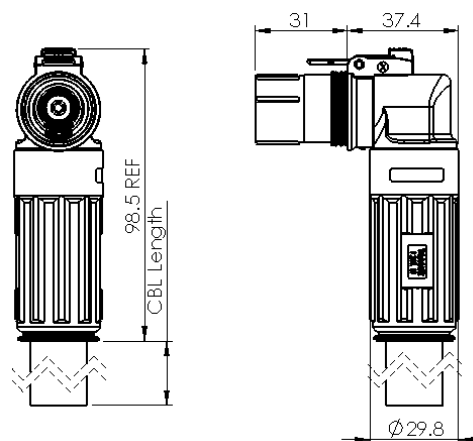
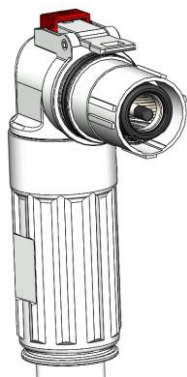
(B) & (C) type and key: Ipos receptacle, x key, orange

(A) TL series

plug dim.



1pos, straight plug

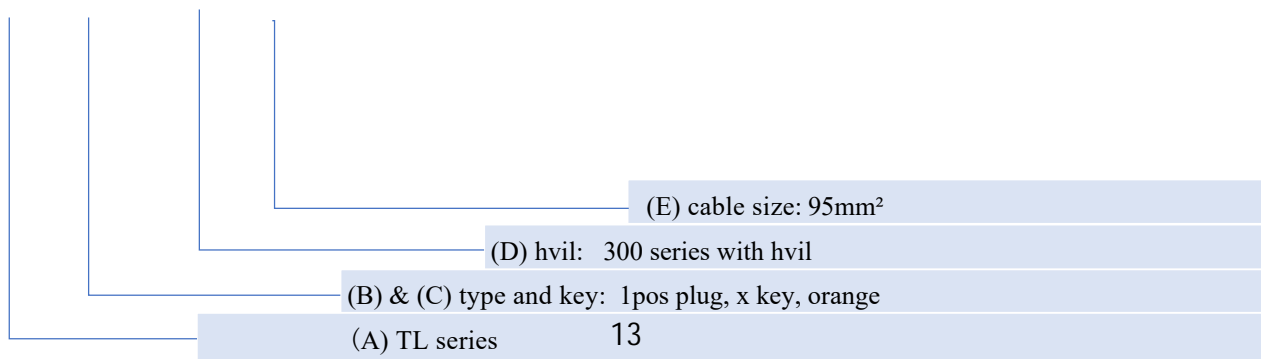


1pos, R/A plug

订单料号信息

TL 18X - 301 - 95

A B&C D E



(E) cable size: 95mm²

(D) hvil: 300 series with hvil

(B) & (C) type and key: 1pos plug, x key, orange

(A) TL series

receptacle ordering info:

| (A) series | | (B) connector type | | (C) key & color | | (D) hvil | | (E) terminal type | | (F) terminal size | |
|------------|-----------|--------------------|------------------|-----------------|---------------|----------|----------------------|-------------------|---------------|-------------------|--------------------------|
| TL | TL series | 00 | 1pos, receptacle | X | X key, orange | 300 | 300 series w/o hvil | 10 | busbar | M+Stud Size | M+screw hole (8 or 10) |
| | | | | Y | Y key, black | 301 | 300 series with hvil | 20 | threaded bolt | D+Stud Size | D+hole (8 or 10) |
| | | | | U | U key, yellow | | | 90 | 90° busbar | M+Thread Size | M+bolt (8 or 10) |
| | | | | V | V key, green | | | | | | |
| | | | | W | W key, blue | | | | | | |
| | | | | T | T key, red | | | | | | |

plug ordering info:

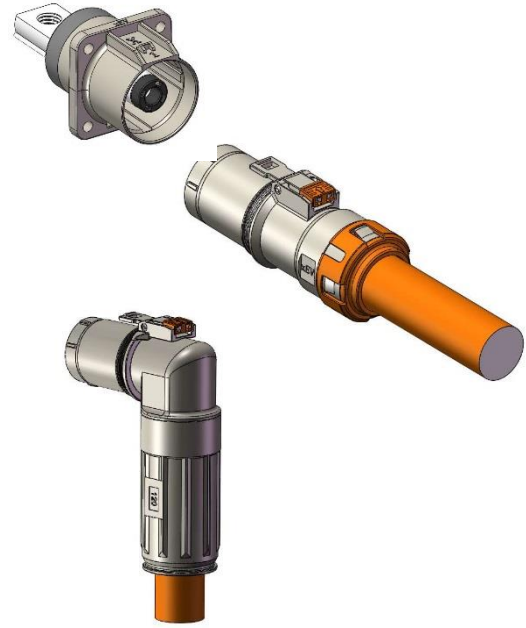
| (A) series | | (B) connector type | | (C) keys and color | | (D) hvil | | (E) cable size | |
|------------|-----------|--------------------|----------------------|--------------------|---------------|----------|----------------------|-----------------|------------|
| | | | | | | | | cable size(mm²) | current(A) |
| TL | TL series | 18 | 1POS, plug, straight | X | X key, orange | 300 | 300 series w/o hvil | 35 | 150 |
| | | 28 | 1POS, plug, R/A | Y | Y key, black | 301 | 300 series with hvil | 50 | 200 |
| | | | | U | U key, yellow | | | 70 | 250 |
| | | | | V | V key, green | | | 95 | 300 |
| | | | | W | W key, blue | | | | |
| | | | | T | T key, red | | | | |

key tech parameters

| | |
|-------------------|--------------------------|
| rated current | 500A (Max) rated current |
| rated voltage | 1000V DC |
| withstand voltage | 5000V DC |
| working temp. | -40°C to +125°C |
| flame retardant | UL94 V-0, GB/T 2408-2008 |
| life circles | Min100 |

key benefits

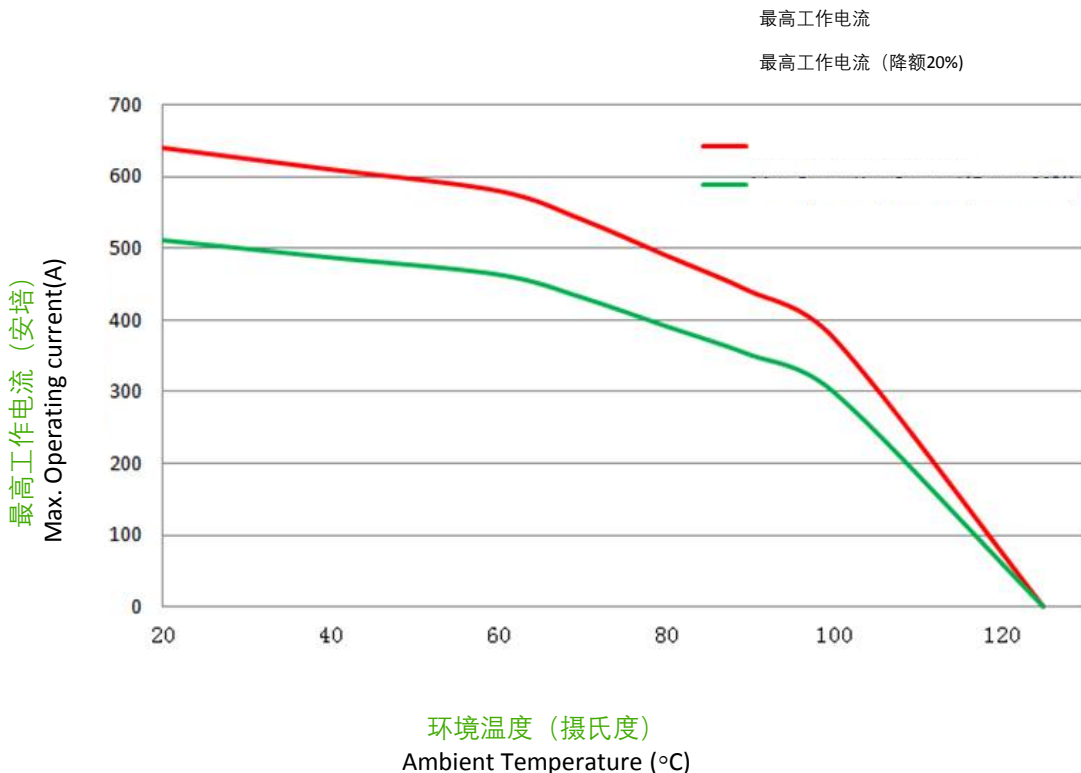
| | |
|-----------------|-------------|
| IP grade | IP67,IP6K9K |
| touch proof | Yes |
| hvil fuction | optional |
| shielding | 360° |
| keys | X/Y/U/V/W/T |
| no. of position | 1pos |



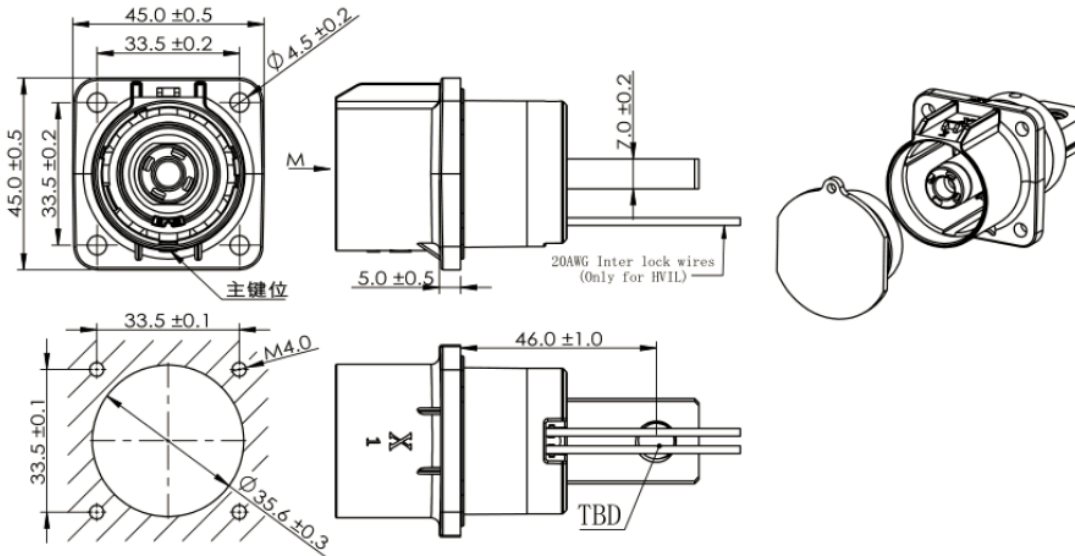
application

- powertrain
- ev battery pack
- on-board charger
- hv inverter
- industrial

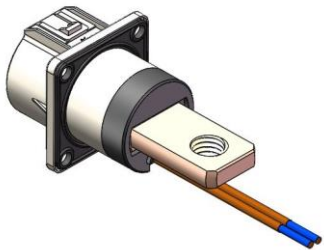
TL500 ambient temp-operating current decline curve graph (ref. IEC 60512-5-2)



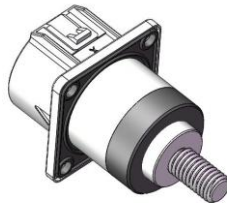
receptacle dim.



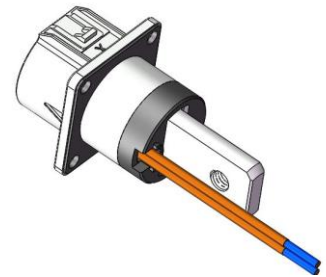
terminal type



busbar



threaded bolt



90° busbar

receptacle ordering info

TL 00X - 501 - 10 M10
 A B&C D E F

(F) terminal dim: M10 hole

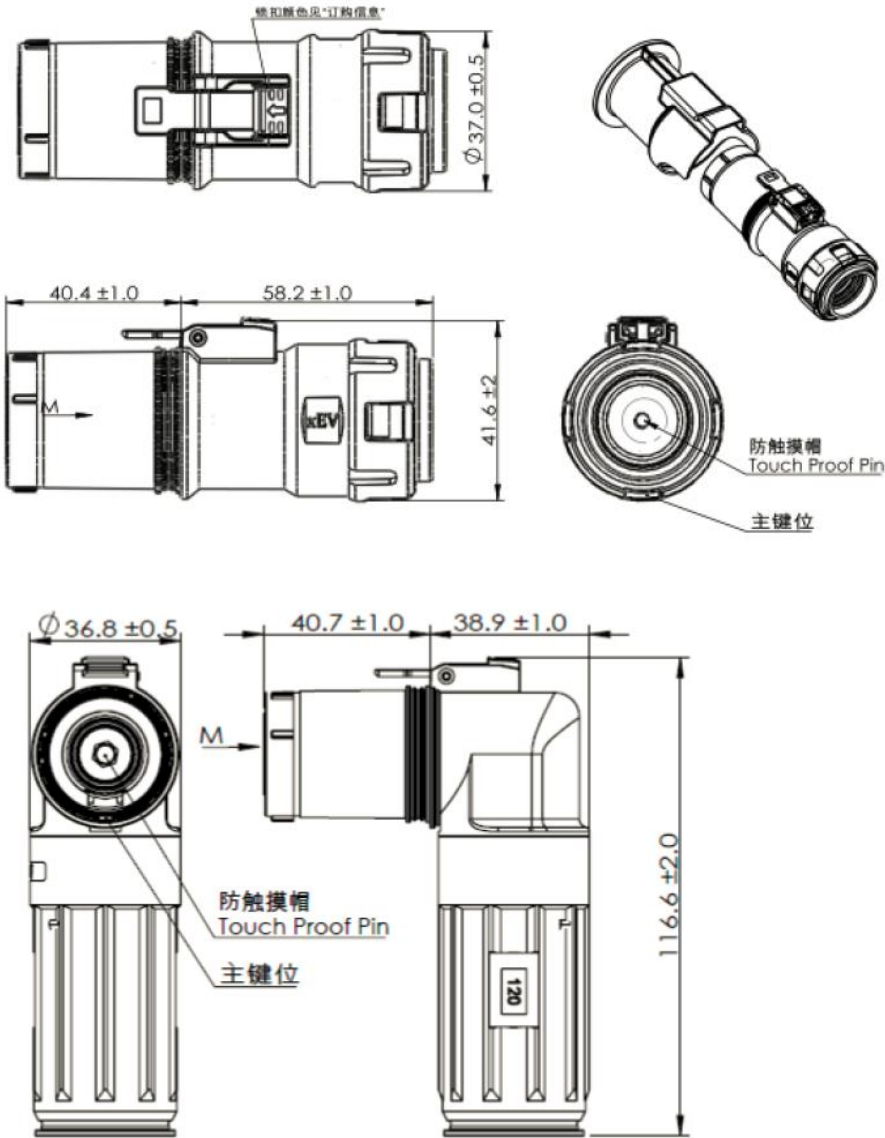
(E) terminal type: busbar

(D) hvil: 500 series with hvil

(B) & (C) type and key: 1pos receptacle, x key, orange

(A) TL series

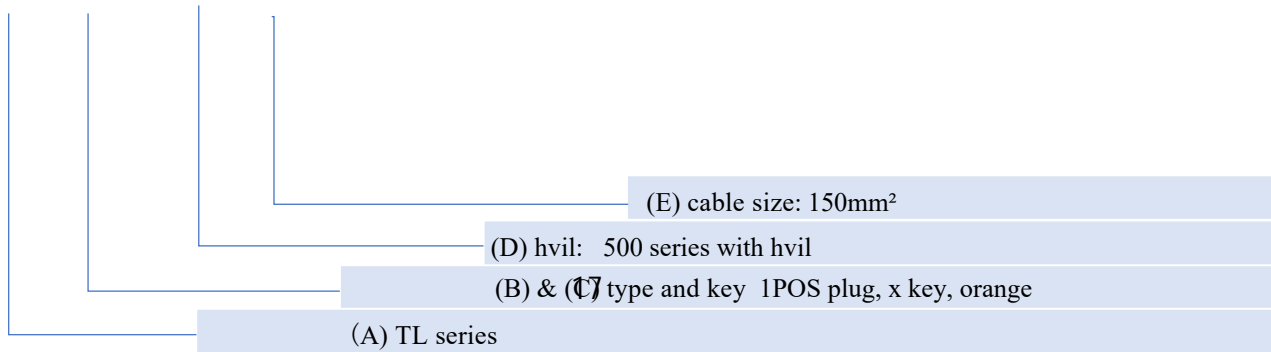
plug dim.



订单料号信息

plug ordering info:

TL 18X - 501 - 150
A B&C D E



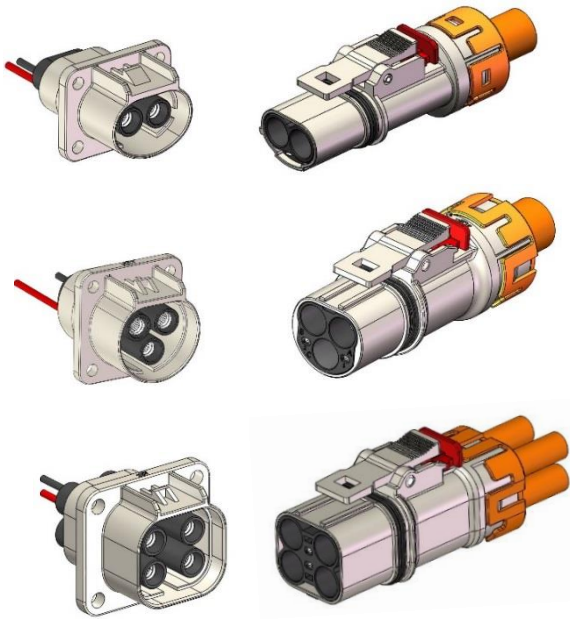
receptacle ordering info:

| (A) series | | (B) connector type | | (C) keys and color | | (D) HVIL | | (E) terminal type | | (F) busbar hole type | |
|------------|------|--------------------|------------|--------------------|--------|----------|-----------|-------------------|---------------|----------------------|--------|
| TL | Tlok | 00 | receptacle | X | orange | 501 | with hvil | 10 | busbar | screw hole | M8/M10 |
| | | | | Y | black | 500 | w/o hvil | | | hole | D8/D10 |
| | | | | U | yellow | | | 20 | threaded bolt | screw hole | M8/M10 |
| | | | | V | green | | | | | | |
| | | | | W | red | | | | | | |
| | | | | T | blue | | | | | | |

plug ordering info:

| (A) series | | (B) connector type | | (C) keys and color | | (D) HVIL | | (E) cable size | |
|------------|------|--------------------|---|--------------------|--------|----------|-----------|----------------|--------------------|
| TL | Tlok | 18 | 1POS, straight plug, for shield cable | X | orange | 501 | with hvil | 120 | 120mm ² |
| | | 28 | 1POS, angled plug, for shield cable | Y | black | 500 | w/o hvil | 135 | 135mm ² |
| | | 48 | 1POS, straight plug, for unshield cable | U | yellow | | | 150 | 150mm ² |
| | | 58 | 1POS, angled plug, for unshield cable | V | green | | | | |
| | | | | W | red | | | | |
| | | | | T | blue | | | | |

XL60 series



| Technical Data | |
|-----------------------|---------------------|
| mechanical features | |
| life circles | 100 times (Min.) |
| | <100N |
| HVIL | optional |
| electrical features | |
| rated voltage | 900VDC/600VAC(Max.) |
| rated current | 60A (Max.) |
| insulation resistance | >200 兆欧 |
| dielectric strength | 3900 VDC / 2200V AC |
| shield performance | 360° shielding |
| ambient performance | |
| working temp | -40 °C to +125°C |
| sealing performance | IP67、IP6K9K(互配状态) |
| touch-proof | IP2XB |
| salt spray test | 48h (Min.) |

typical application

powertrain

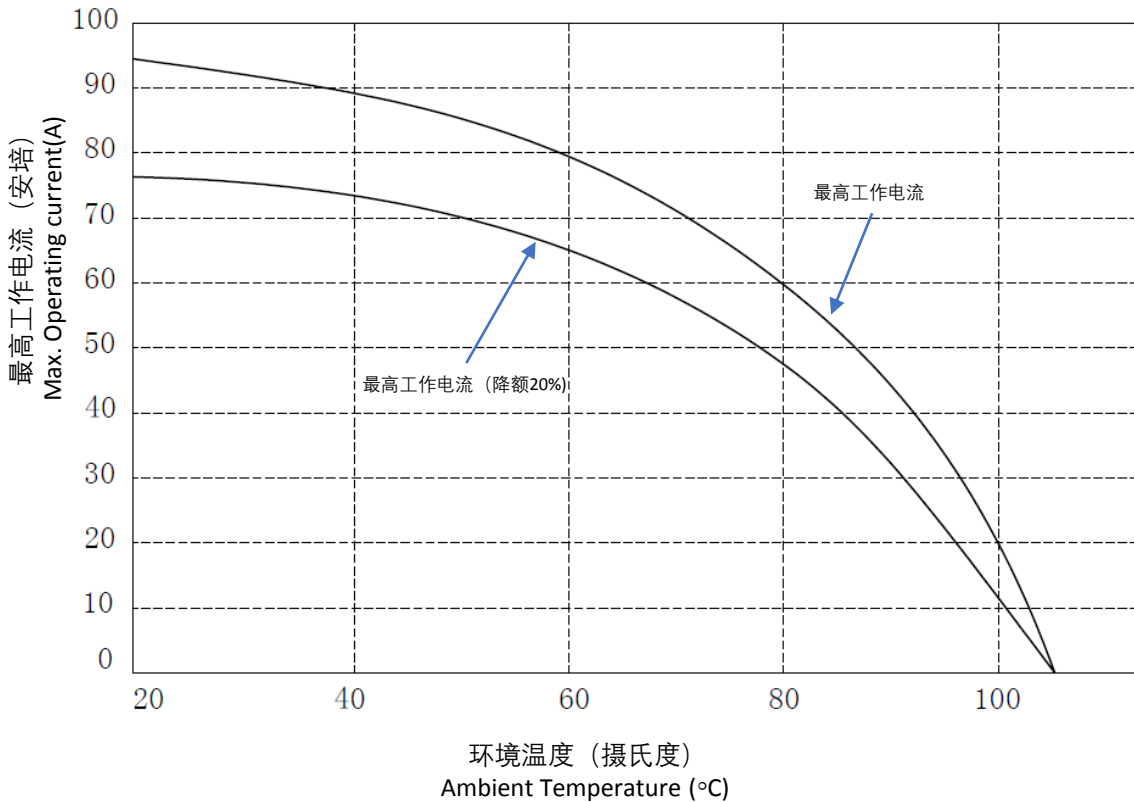
motor

industrial

on-board charger

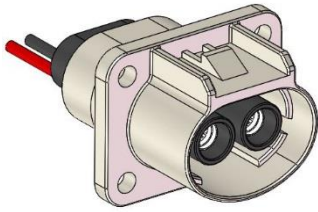
inverter

XL-60 ambient temp-operating current decline curve graph (ref. IEC 60512-5-2)

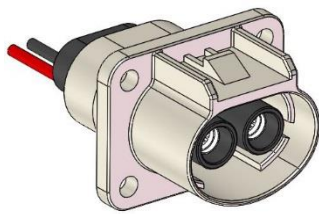
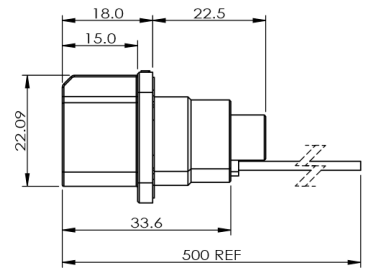
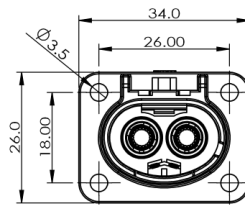


XL60

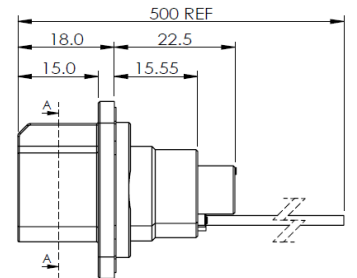
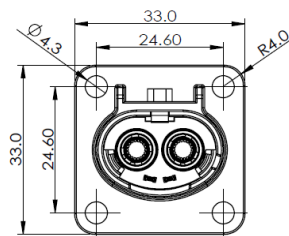
XL 60 2pos receptacle dim.



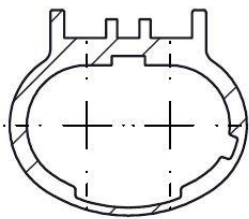
XL082



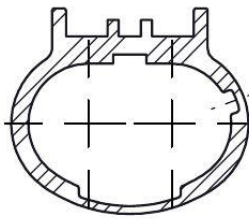
XL062



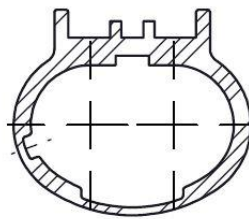
2pos receptacle keys



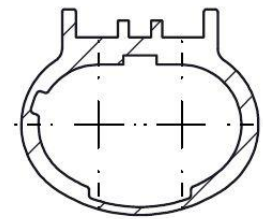
X键位



Y键位

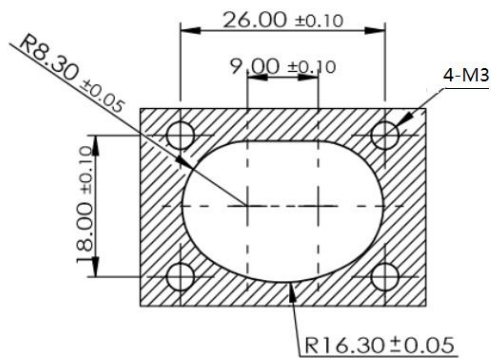


U键位

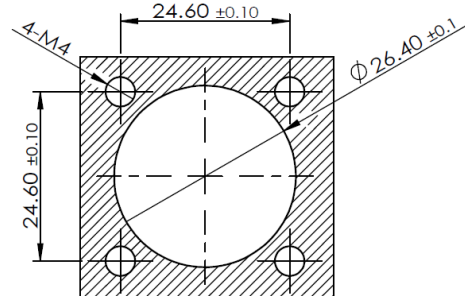


Z键位

2pos receptacle panel cut-out dim.

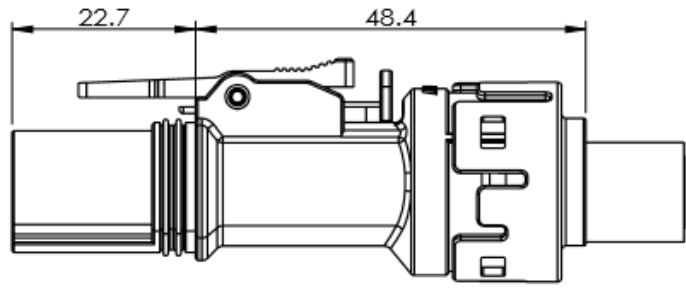
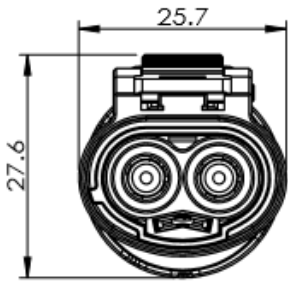
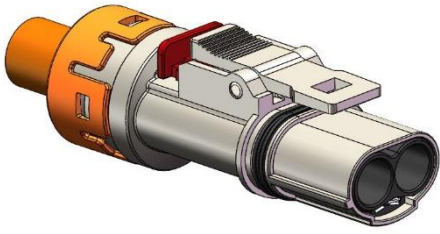


XL082

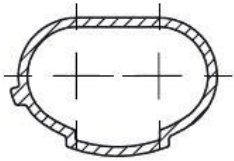


XL60

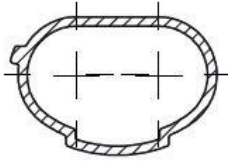
XL 60 2pos plug dim.



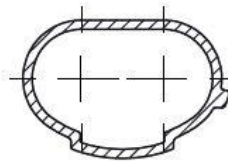
2pos plug keys:



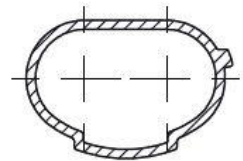
X 键位



Y 键位

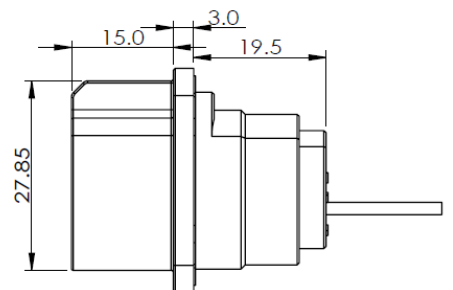
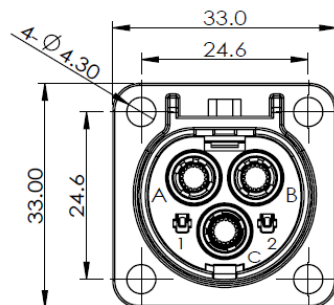
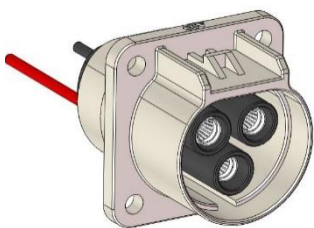


U 键位



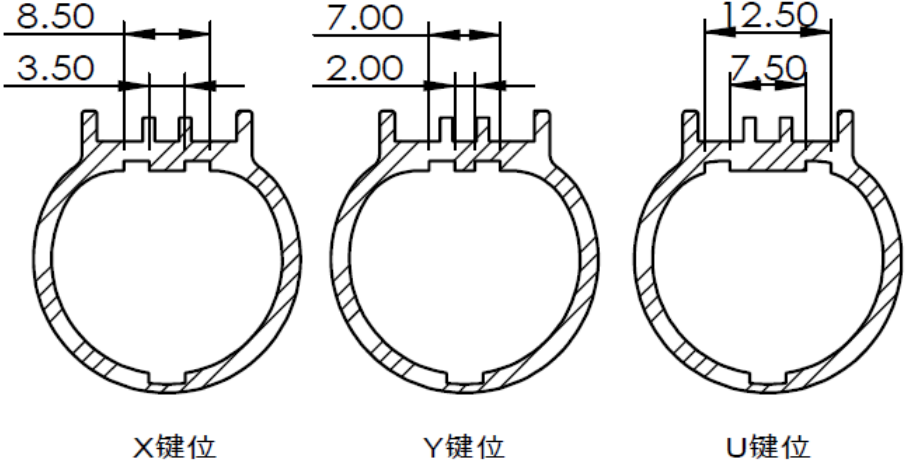
Z 键位

XL 60 3pos receptacle dim.

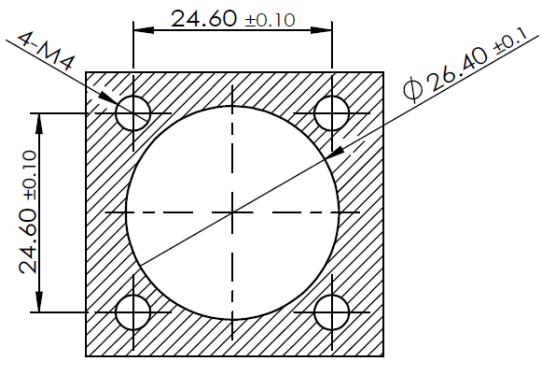


XL60

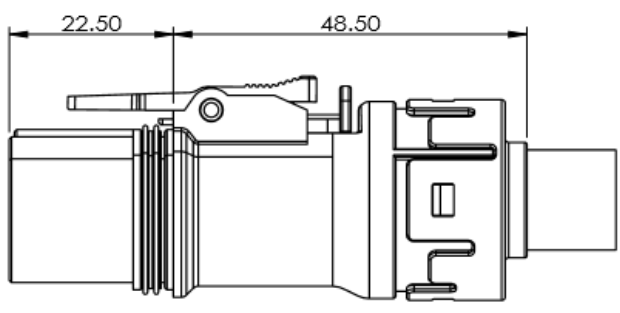
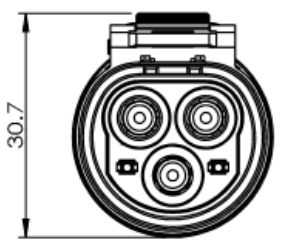
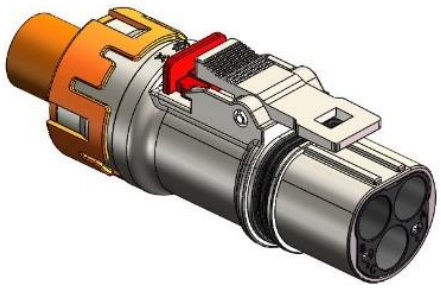
3pos receptacle keys



3pos receptacle panel cut-out dim.

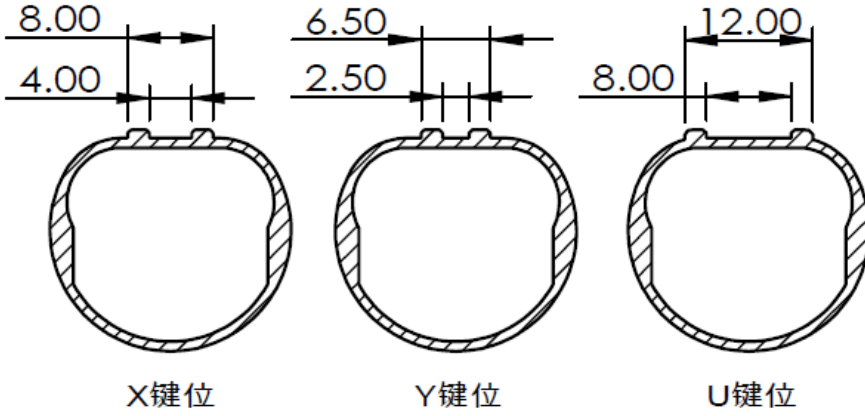


XL 60 3pos plug receptacle dim.

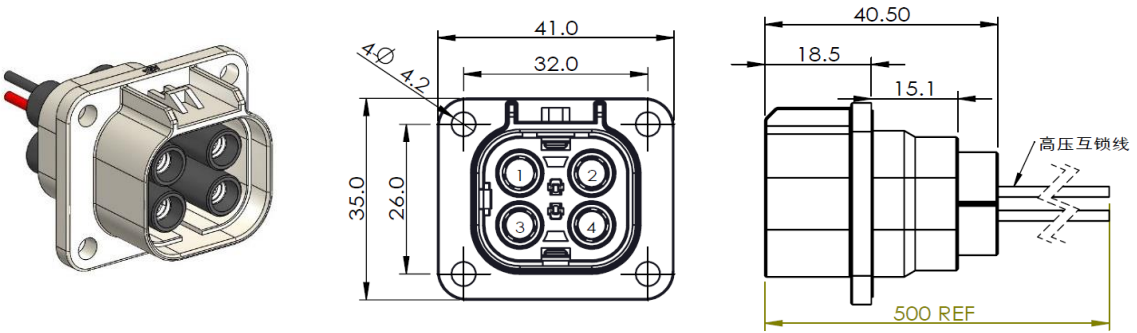


XL60

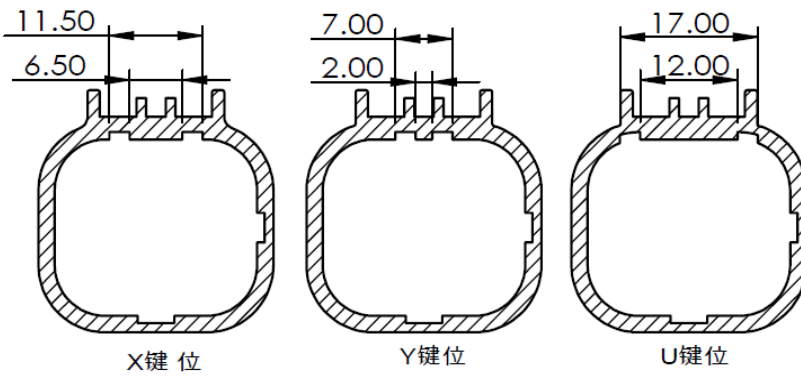
3pos plug keys



XL 60 4POS receptacle dim.

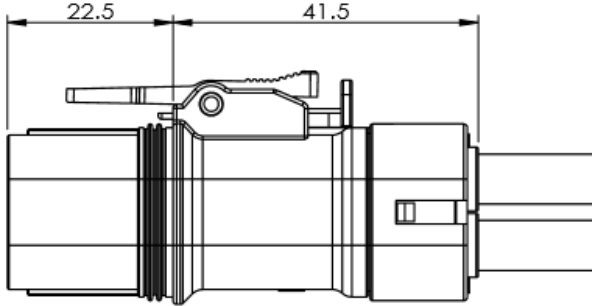
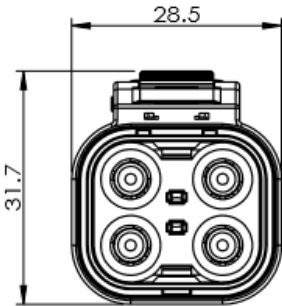
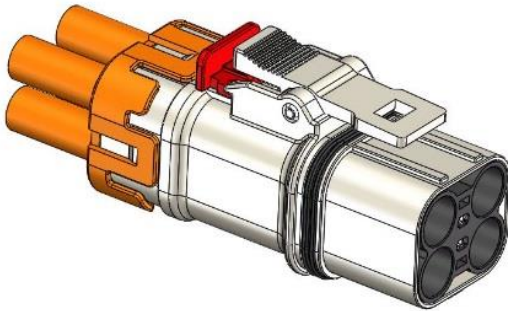


4pos receptacle keys

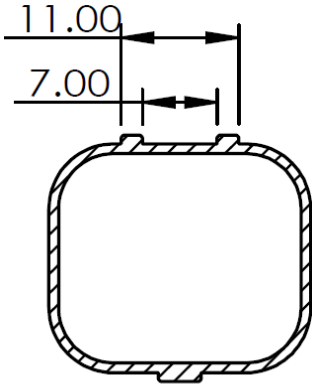


XL60

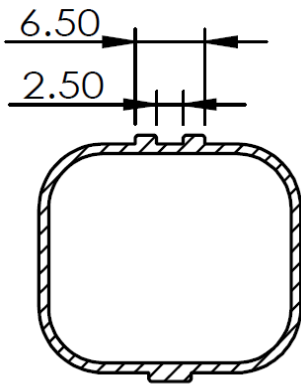
XL 60 4POS plug dim.



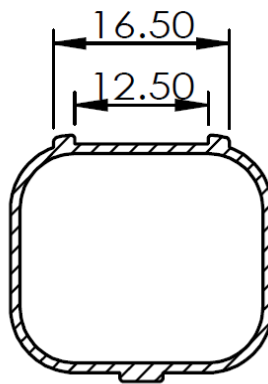
4pos plug keys:



X键位



Y键位

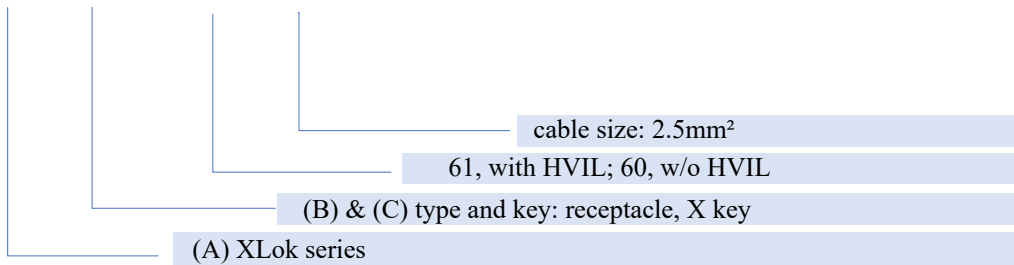


U键位

XL60

receptacle ordering info:

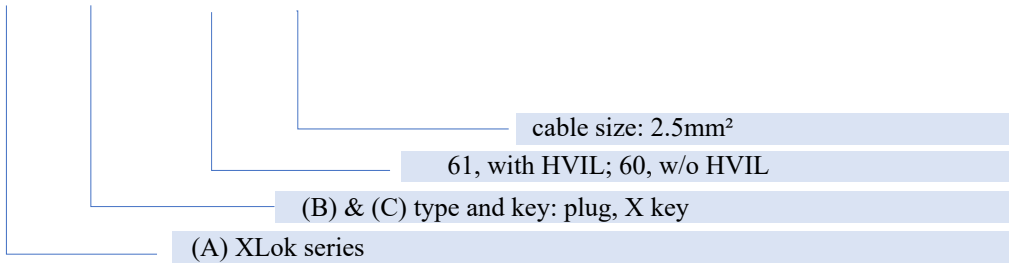
XL 082X - 61 - 2.5
 A B&C D E



| (A) series | | (B) connector type | | (C) key & color | | (D) hvil | | (E) cable size w/o shielding, mm ² | | rated current |
|------------|-------------|--------------------|------------------|-----------------|---|----------|---------------------|---|--|---------------|
| XL | XLoc series | 082 | 2pos, receptacle | X | X key, orange | 60 | 60 series w/o hvil | 2.5 | | 25A |
| | | 062 | 2pos, receptacle | Y | Y key, black | 61 | 61 series with hvil | 4 | | 35A |
| | | 083 | 3pos, receptacle | U | U key, yellow | | | 6 | | 45A |
| | | 084 | 4pos, receptacle | Z | V key, green ps: only available for 2pos | | | | | |
| | | | | | | | | | | |

plug ordering info:

XL 182X - 61 - 2.5
 A B&C D E



| (A) series | | (B) connector type | | (C) key & color | | (D) hvil | | (E) cable size | | rated current | |
|------------|-------------|--------------------|------------|-----------------|---|----------|---------------------|----------------|--|---------------|--|
| XL | XLoc series | 182 | 2pos, plug | X | X key, orange | 60 | 60 series w/o hvil | 2.5 | | 25A | |
| | | 183 | 3pos, plug | Y | Y key, black | 61 | 61 series with hvil | 4 | | 35A | |
| | | 184 | 4pos, plug | U | U key, yellow | | | 6 | | 45A | |
| | | | | Z | V key, green ps: only available for 2pos | | | | | | |
| | | | | | | | | | | | |

key tech parameters

| | |
|-------------------|--------------------------|
| rated current | 200A (Max) |
| rated voltage | 600V DC |
| withstand voltage | 5000V DC |
| working temp. | -40°C to +125°C |
| flame retardant | UL94 V-0, GB/T 2408-2008 |
| life circles | Min100 |

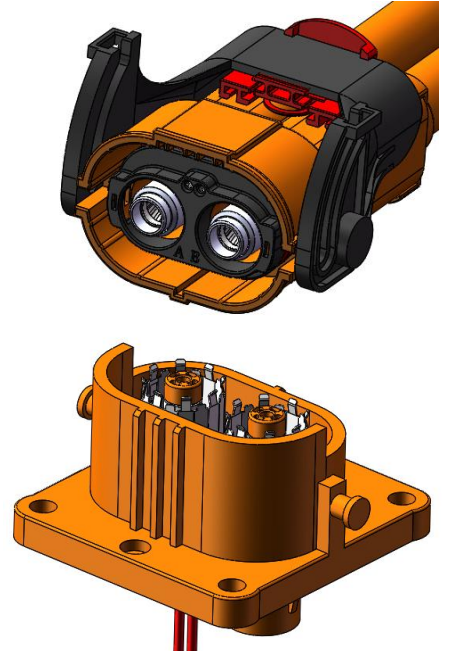
key benefits

| | |
|-----------------|--------------|
| IP grade | IP67, IP6K9K |
| proof hvil | Yes optional |
| function | 360° |
| shielding keys | X/Y/U/V/W/T |
| no. of position | 2pos |
| CPA | second lock |

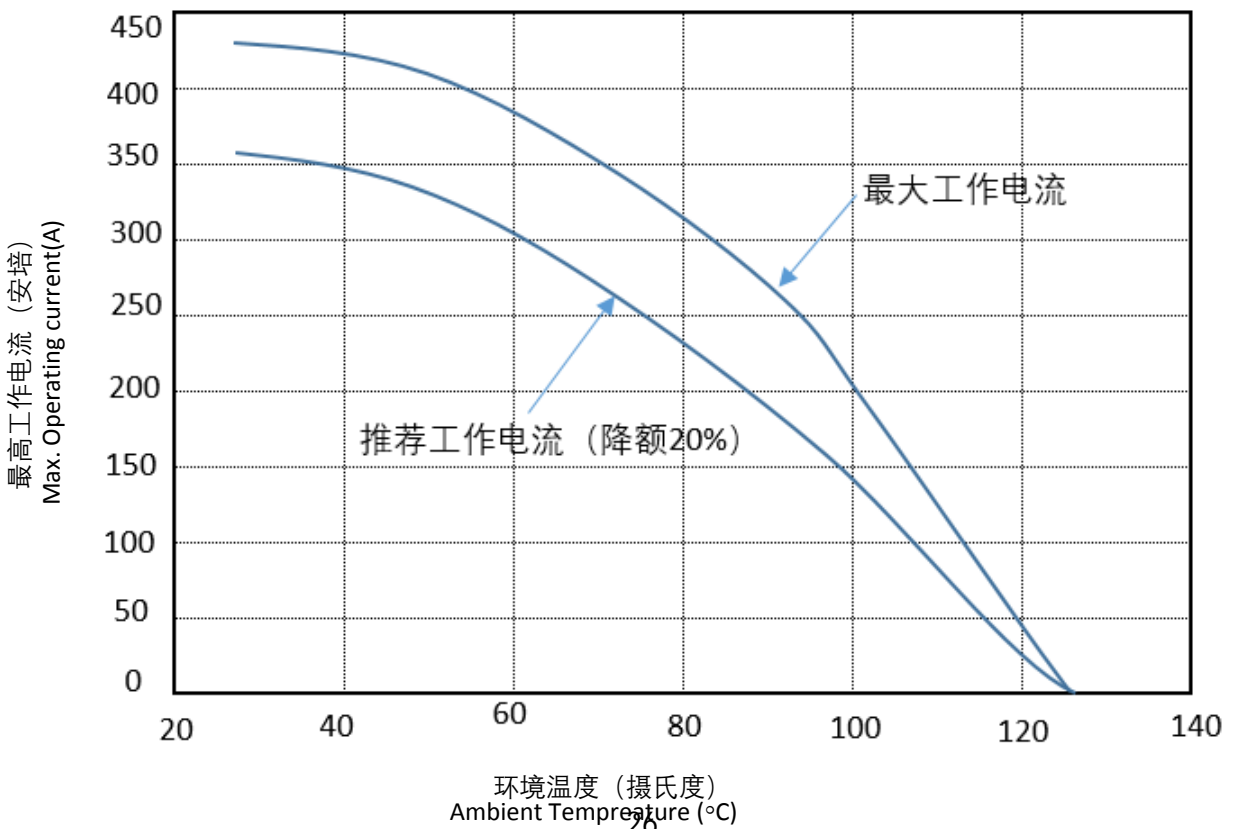
application

| |
|------------------|
| powertrain |
| ev battery pack |
| on-board charger |
| hv inverter |
| industrial |

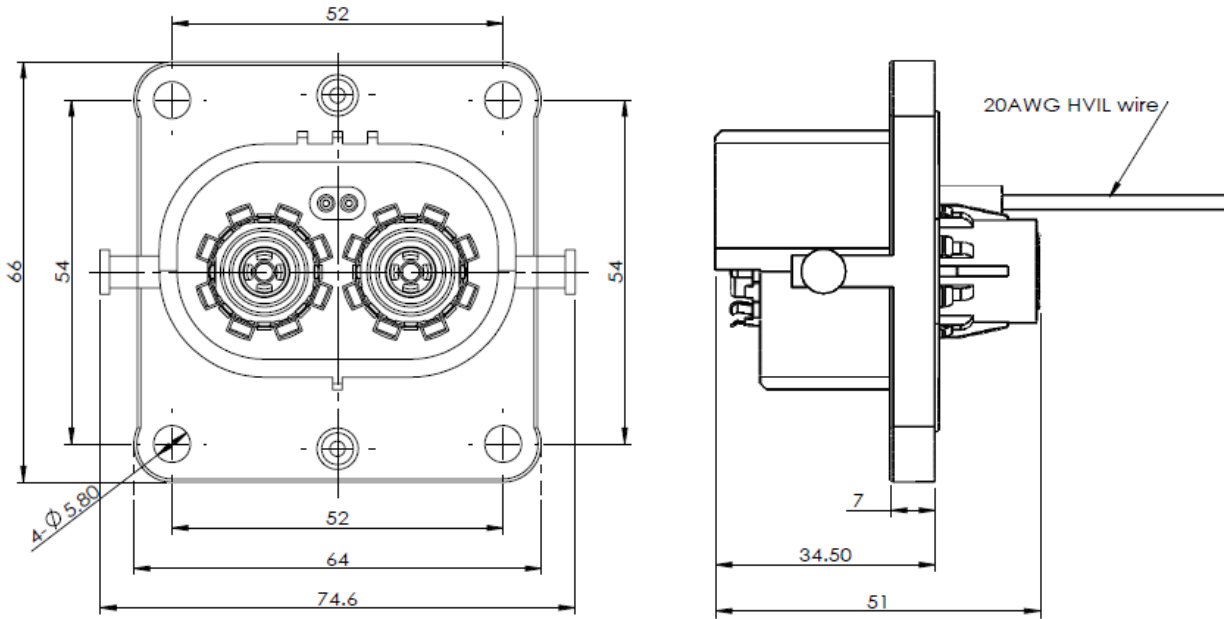
XLP200 series



XLP-200 ambient temp-operating current decline curve graph (ref. IEC 60512-5-2)

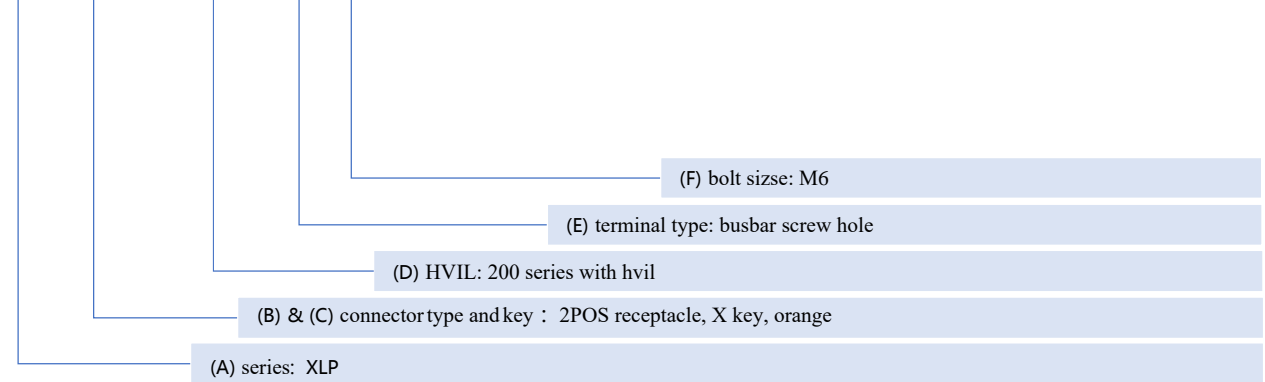


receptacle dim.

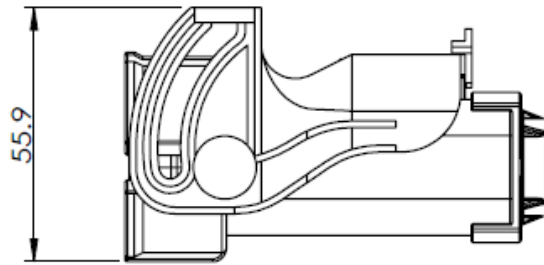
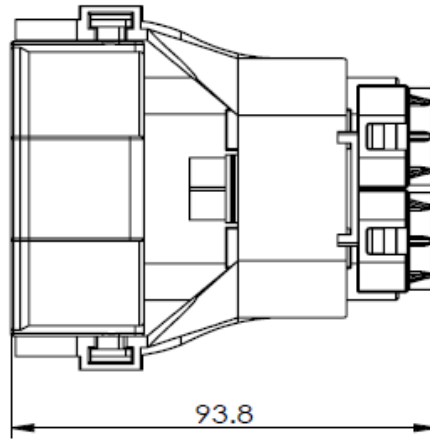
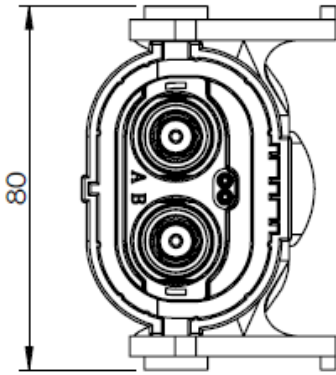


ordering info:

XLP 082X - 201 - 10 M6



plug dim.



ordering info

XLP 182X - 201 - 50

(E) cable size: 50mm²

(D) hvil: 200 series with hvil

(B) & (C) connectortype & key : 2POS plug, straight, X key, orane

(A) series: XL

receptacle order info

| (A) series | | (B) connector type | | (C) keys and color | | (D) HVIL | | (E) terminal type | | (F) cable mount hole type | |
|------------|------|--------------------|------------|--------------------|--------|----------|-----------|-------------------|---------------|---------------------------|----|
| XLP | Xlok | 082 | receptacle | X | orange | 201 | with hvil | 10 | busbar | screw hole | M6 |
| | | | | Y | black | 200 | w/o hvil | | | | |
| | | | | | | | | 20 | threaded bolt | screw hole | M6 |
| | | | | | | | | | | | |
| | | | | | | | | | | | |

plug order info

| (A)series | | (B)connector type | | (C)keys and color | | (D)HVIL | | (E)cable size | |
|-----------|------|-------------------|---------------------------------------|-------------------|--------|---------|-----------|---------------|-------------------|
| XLP | Xlok | 182 | 2POS, straight plug, for shield cable | X | orange | 201 | with hvil | 25 | 25mm ² |
| | | | | Y | black | 200 | w/o hvil | 35 | 35mm ² |
| | | | | | | | | 50 | 50mm ² |
| | | | | | | | | | |
| | | | | | | | | | |

XLP 60 series



| technical data | |
|-----------------------|---------------------|
| mechanical features | |
| life circles | 100 times (Min.) |
| mating force | <100N |
| HVIL | optional |
| electrical features | |
| rated voltage | 900VDC/600VAC(Max.) |
| rated current | 16A (Max.) |
| insulation resistance | >200 mΩ |
| dielectric strength | 3900 VDC / 2200V AC |
| shield performance | 360° shielding |
| ambient performance | |
| working temp | -40 °C to +125°C |
| sealing performance | IP67、IP6K9K(mating) |
| touch-proof | IP2XB |
| salt spray test | 48h (Min.) |

typical application

powertrain

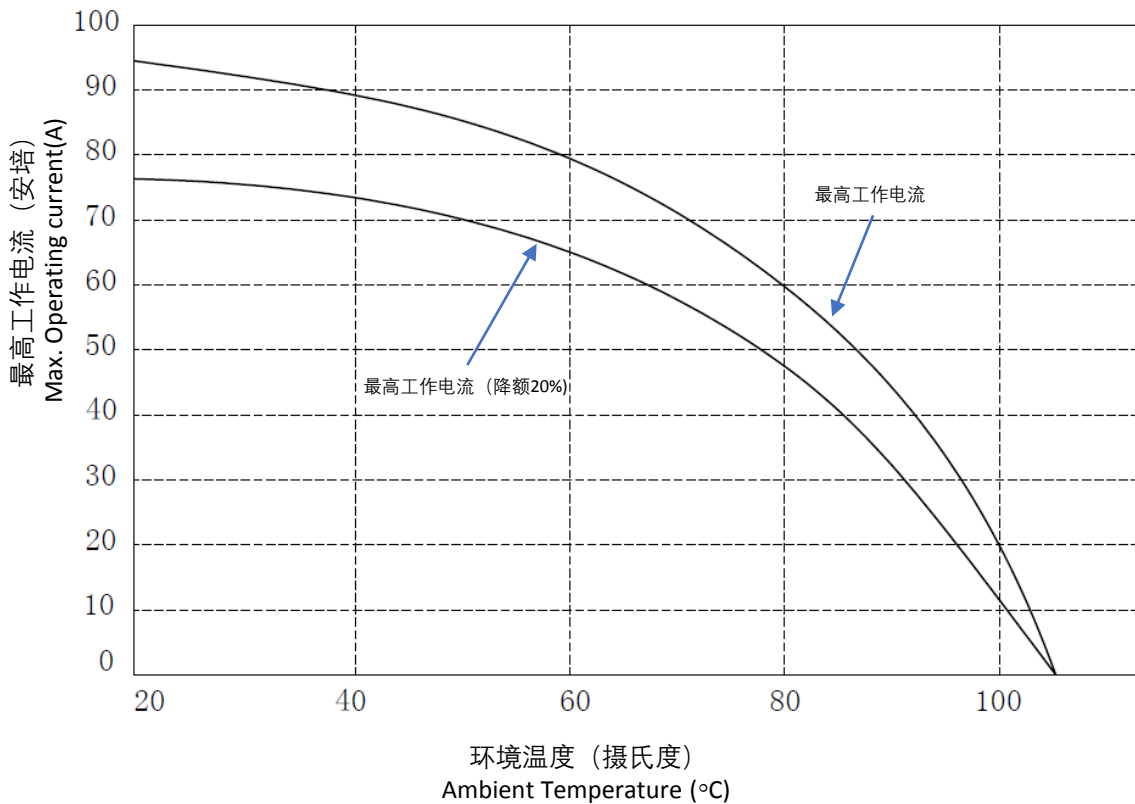
motor

industrial

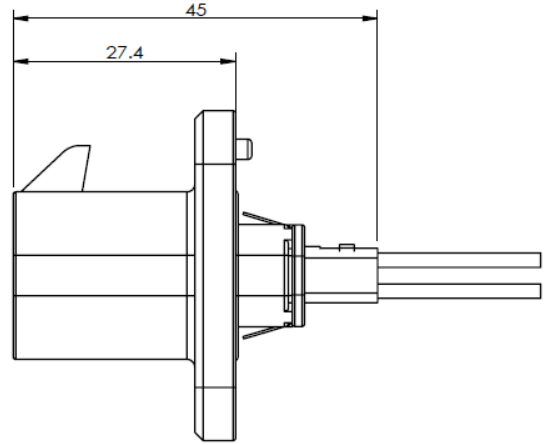
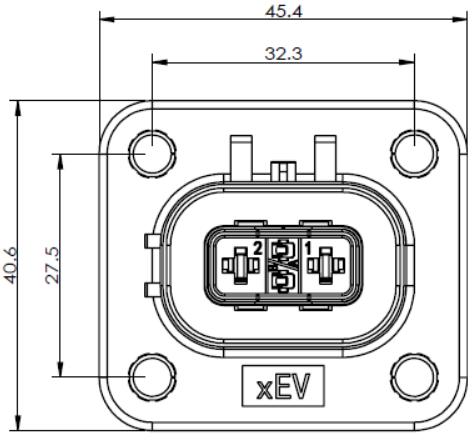
on-board charger

inverter

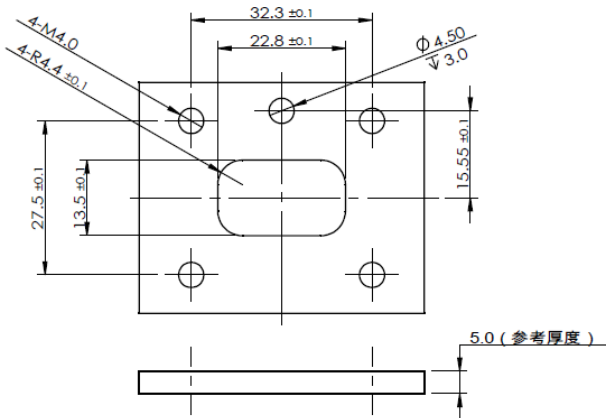
XLP-60 ambient temp-operating current decline curve graph (ref. IEC 60512-5-2)



XLP 60 2POS receptacle dim.

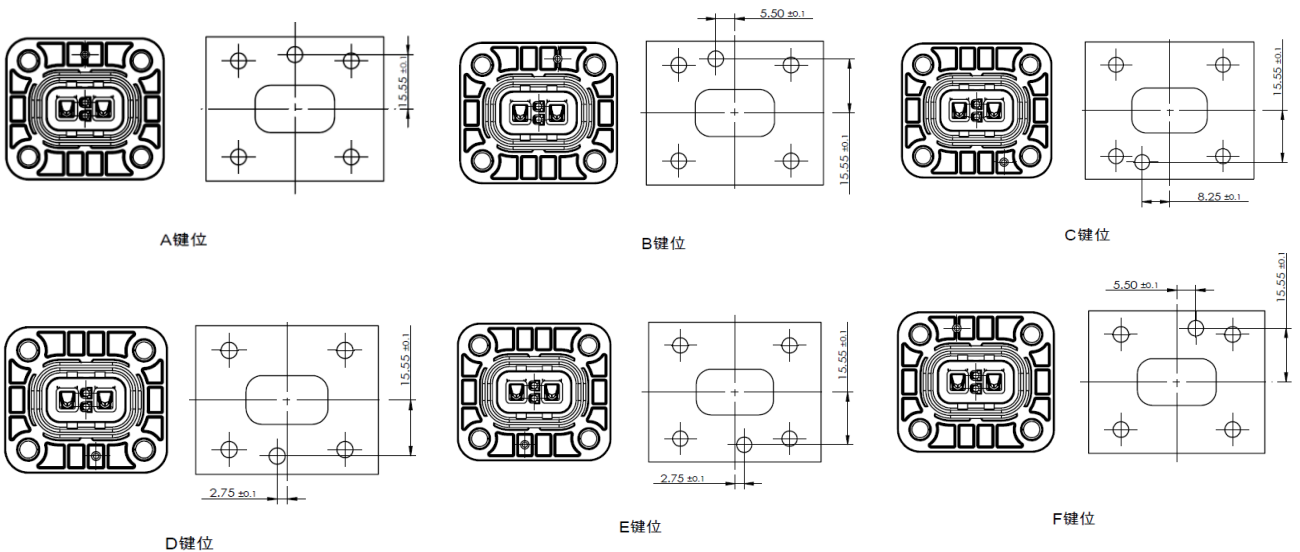


2POS receptacle panel cut-out dim.



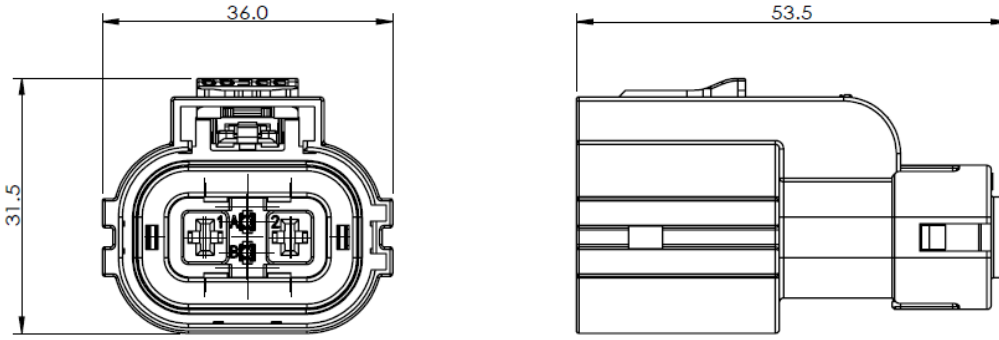
开孔尺寸 (不同键位见键位对照图)

2POS receptacle keys:

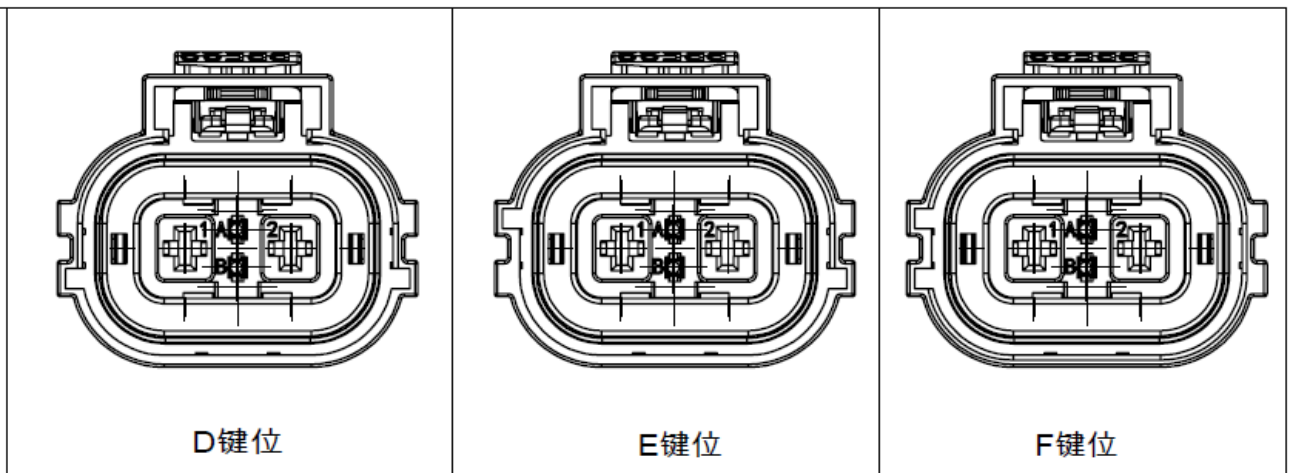
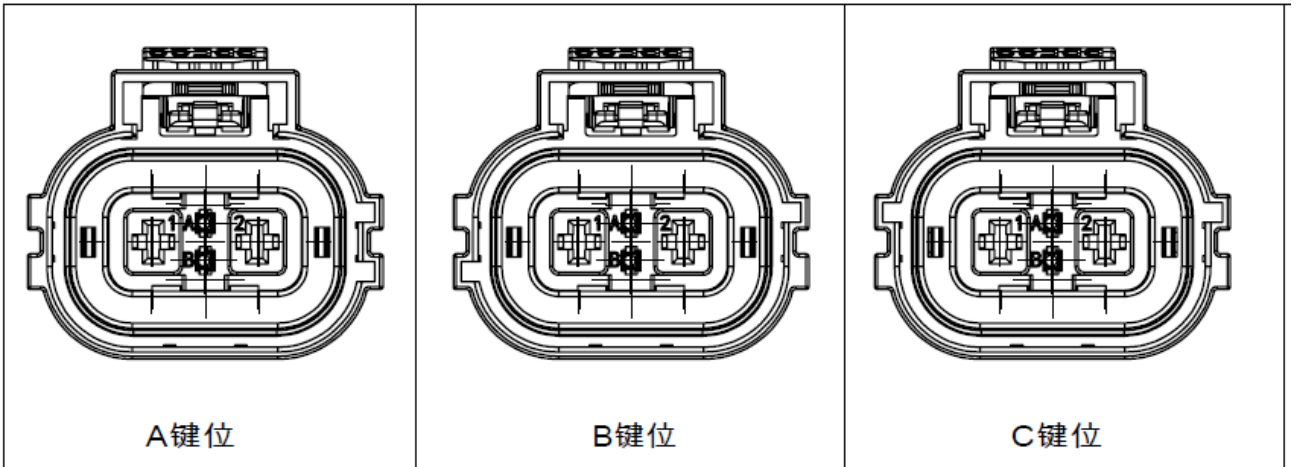


XLP 60

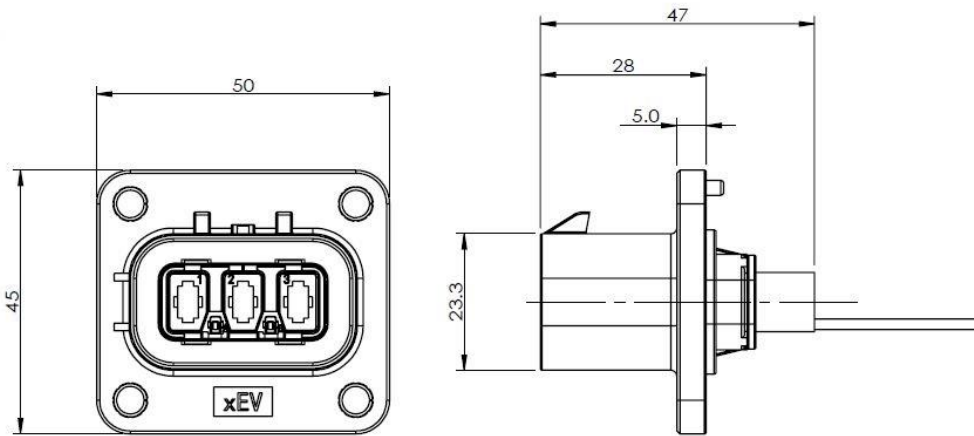
XL 60 2POS Plug dim.



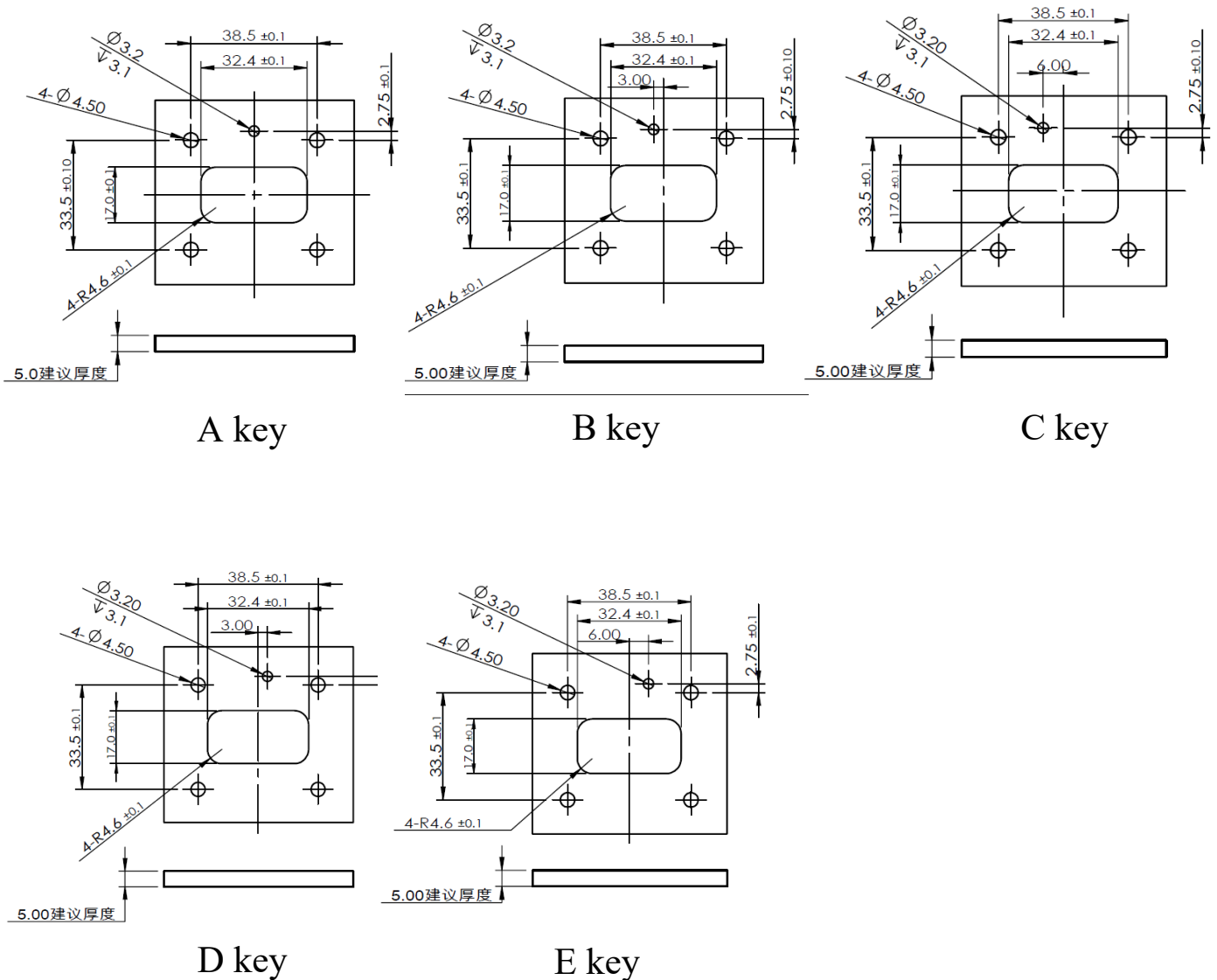
2POS plug dim.



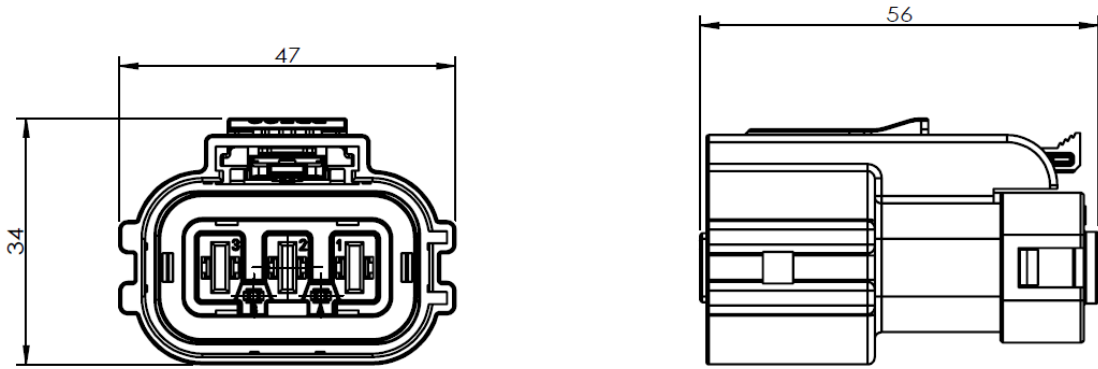
XLP 60 3POS receptacle dim.



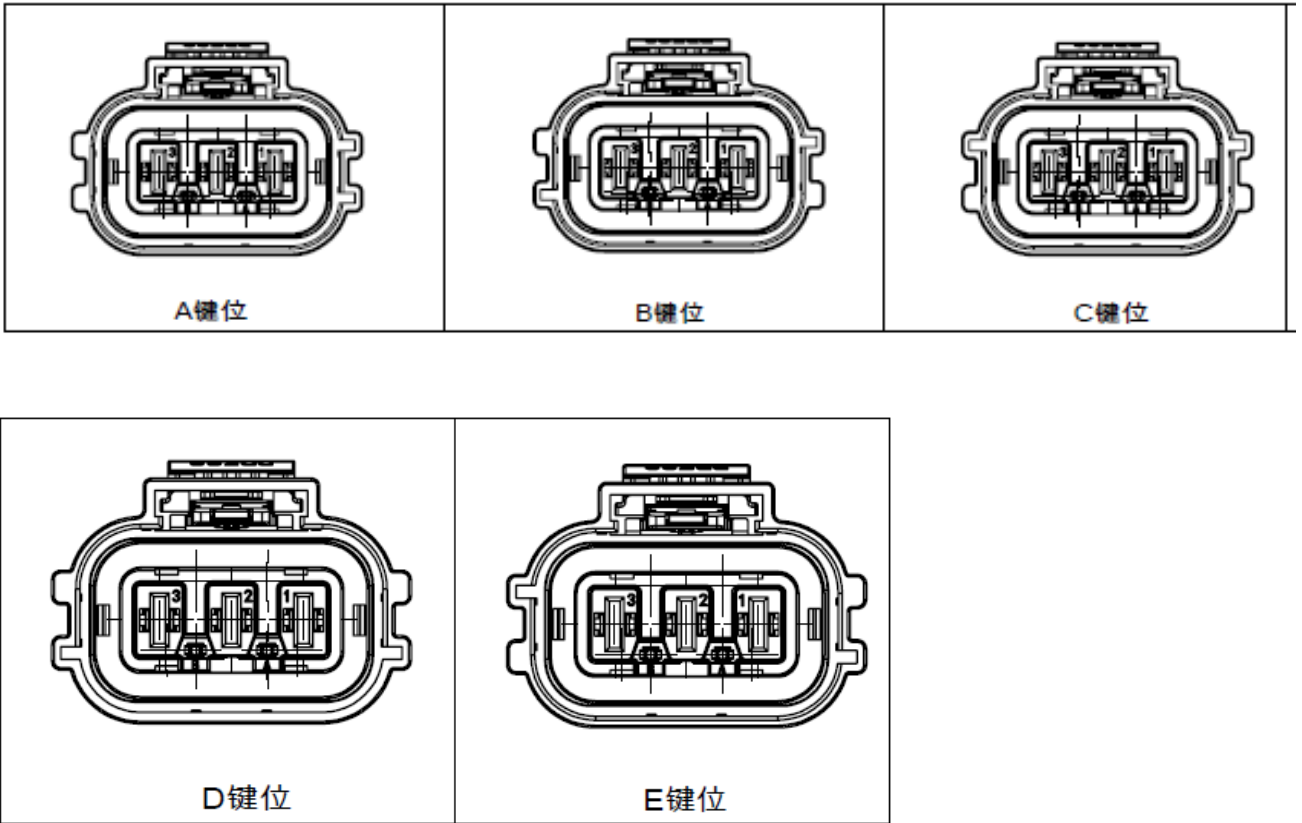
3POS receptacle panel cut-out dim. and keys



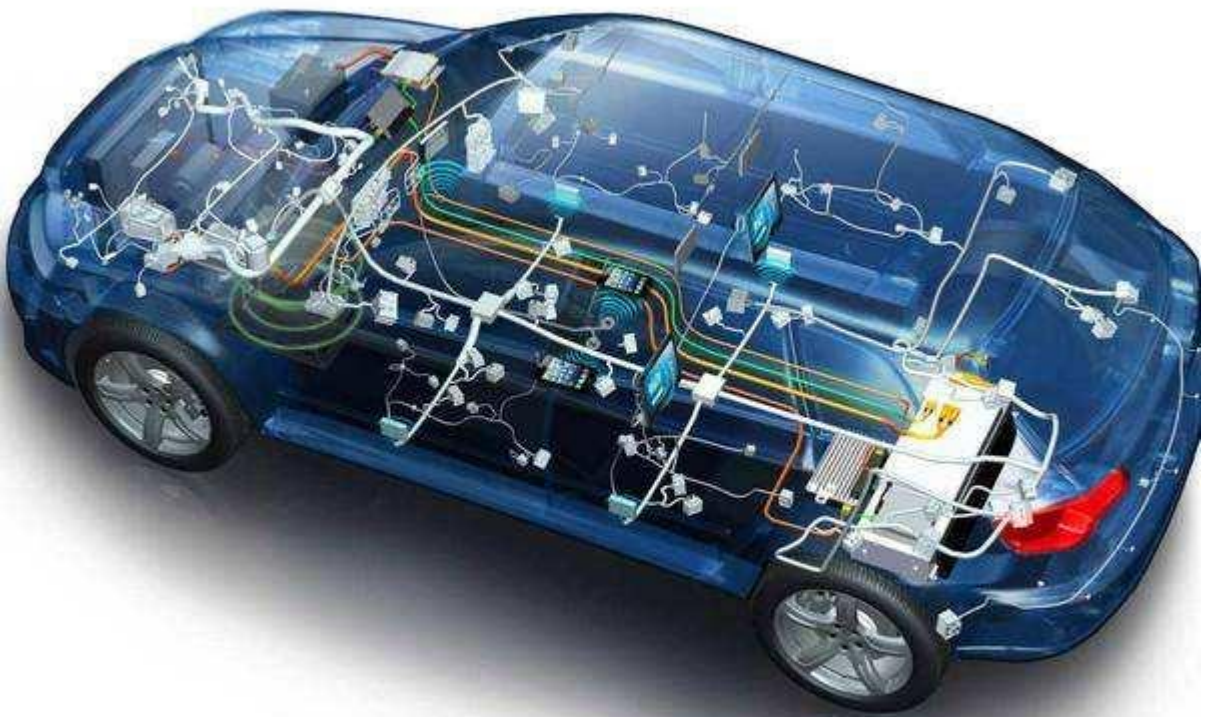
XL 60 3POS Plug dim.



3POS plug keys



XT Series Signal Connector

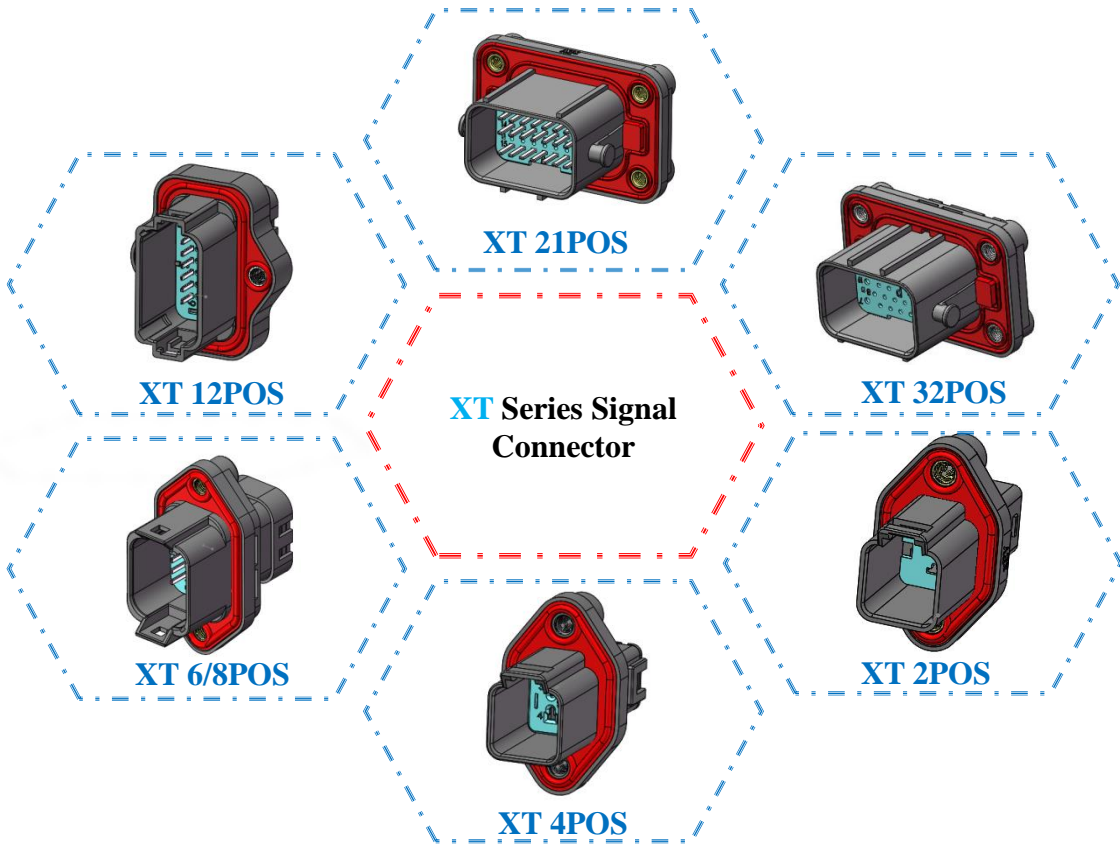


technique parameters

| | |
|-------------------|--------------------------|
| rated current | 5A~13A |
| withstand voltage | 1600V DC,1000VAC |
| No. of pole | 2~32 |
| working temp. | -40°C to +125°C |
| flame retardant | UL94 V-0, GB/T 2408-2008 |
| life cycles | Min100 |

features and advantages

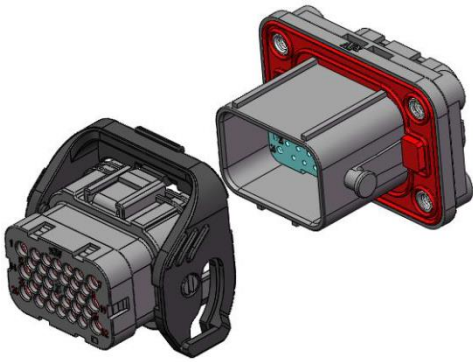
| | |
|------------------------|---------------------|
| IP grade | IP67,IP6K9K (Mated) |
| CPA | Yes |
| installation type | flange |
| 2nd lock type | lever |
| contact removal design | Yes |



application

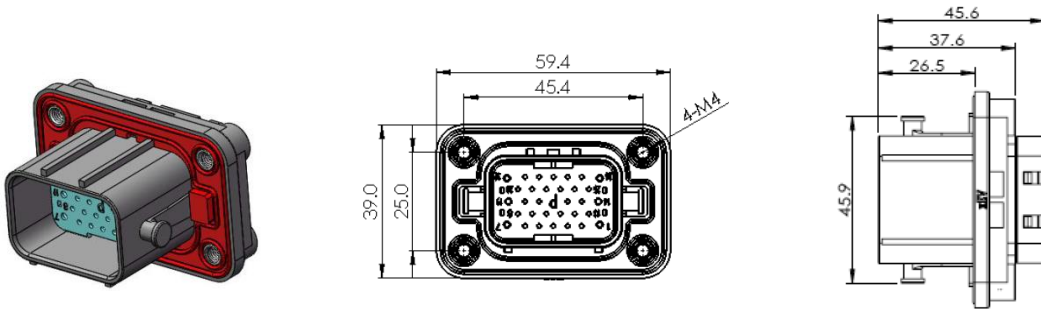
- EV and HEV whole vehicle signal transmission
- battery pack, powertrain signal transmission
- wire to wire signal connector
- data communication system
- military, heavy duty industry

XT 32POS



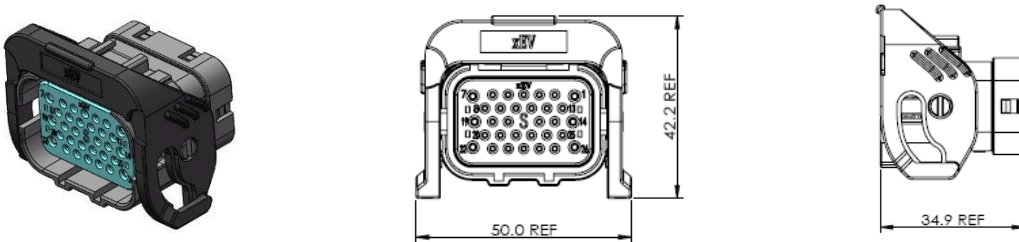
| | |
|------|-----------|
| type | P/N |
| rcpt | XT08X-P32 |
| plug | XT18X-S32 |

receptacle dim.



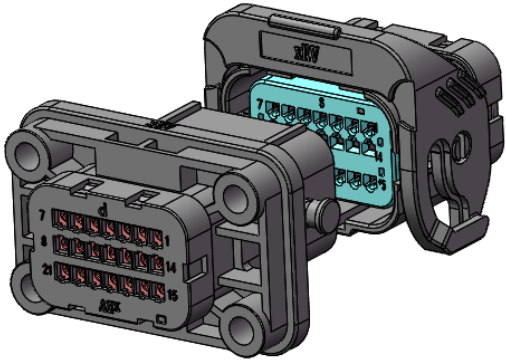
| 适用端子料号 | | | | | | |
|-----------------------|----------------------|--------------------|-------------------------|----------------------|-------------------|------------------|
| 端子种类 Terminal Type | 端子料号 Terminal P/N | 适合电缆 Wire Range | 电缆外径范围 Wire OD Range | 端子数量 Terminal NO. | 盲堵种类 Seal Type | 盲堵料号 Seal P/N |
| 16# Power | XTM1611 | 16~18AWG | 2.24~3.00mm | 6 | 16# Power | XT-SP-16 |
| 20# Signal | XTM2011 | 20~22AWG | 1.35~2.50mm | 26 | 20# Signal | XT-SP-20 |

plug dim.



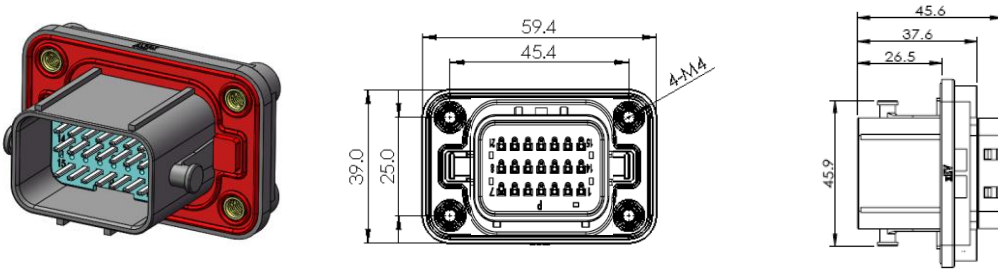
| 适用端子料号 | | | | | | |
|-----------------------|----------------------|--------------------|-------------------------|----------------------|-------------------|------------------|
| 端子种类 Terminal Type | 端子料号 Terminal P/N | 适合电缆 Wire Range | 电缆外径范围 Wire OD Range | 端子数目 Terminal NO. | 盲堵种类 Seal Type | 盲堵料号 Seal P/N |
| 16# Power | XTF1611 | 16~18AWG | 2.24~3.00mm | 6 | 16# Power | XT-SP-16 |
| 20# Signal | XTF2011 | 20~22AWG | 1.35~2.50mm | 26 | 20# Signal | XT-SP-20 |

XT 21POS



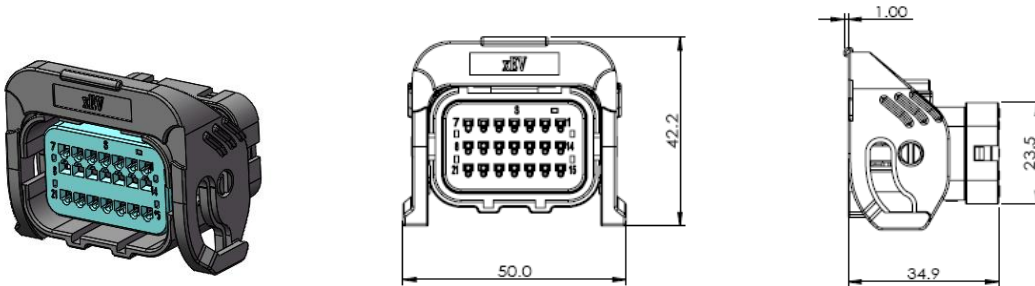
| | |
|------|-----------|
| type | p/n |
| rcpt | XT08X-P21 |
| plug | XT18X-S21 |

插座尺寸参数



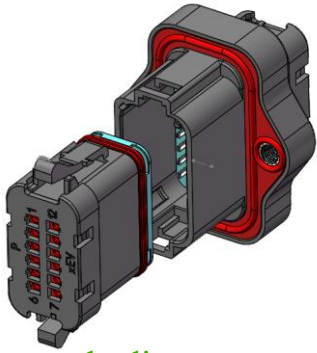
| 适用端子料号 | | | | | | |
|-----------------------|----------------------|--------------------|-------------------------|----------------------|-------------------|------------------|
| 端子种类 Terminal Type | 端子料号 Terminal P/N | 适合电缆 Wire Range | 电缆外径范围 Wire OD Range | 端子数量 Terminal NO. | 盲堵种类 Seal Type | 盲堵料号 Seal P/N |
| Sicma 1.5mm | XTM1522 | 20~22AWG | 1.35~2.50mm | 21 | 20# Signal | XT-SP-20 |

plug dim.



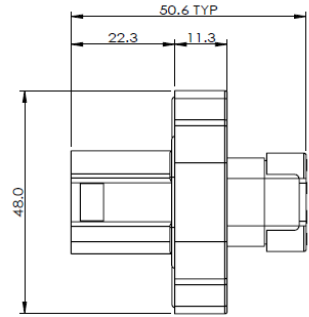
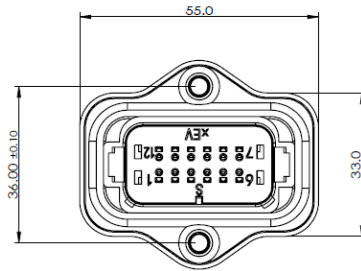
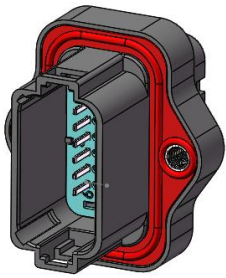
| 适用端子料号 | | | | | | |
|-----------------------|----------------------|--------------------|-------------------------|----------------------|-------------------|------------------|
| 端子种类 Terminal Type | 端子料号 Terminal P/N | 适合电缆 Wire Range | 电缆外径范围 Wire OD Range | 端子数量 Terminal NO. | 盲堵种类 Seal Type | 盲堵料号 Seal P/N |
| Sicma 1.5mm | XTF1522 | 20~22AWG | 1.35~2.50mm | 21 | 20# Signal | XT-SP-20 |

XT 12POS



type p/n
 rcpt XT08X-P12
 plug XT18X-S12

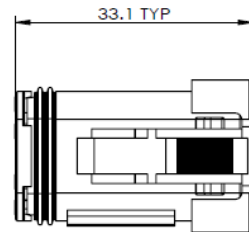
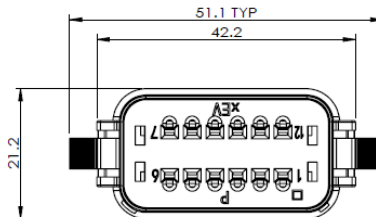
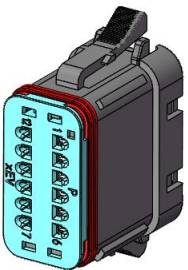
receptacle dim.



适用端子料号

| 端子种类 Terminal Type | 端子料号 Terminal P/N | 适合电缆 Wire Range | 电缆外径范围 Wire OD Range | 端子数量 Terminal NO. | 盲堵种类 Seal Type | 盲堵料号 Seal P/N |
|-----------------------|----------------------|--------------------|-------------------------|----------------------|-------------------|------------------|
| Sicma 1.5mm | XTM1522 | 20~22AWG | 1.35~2.50mm | 12 | 20# Signal | XT-SP-20 |

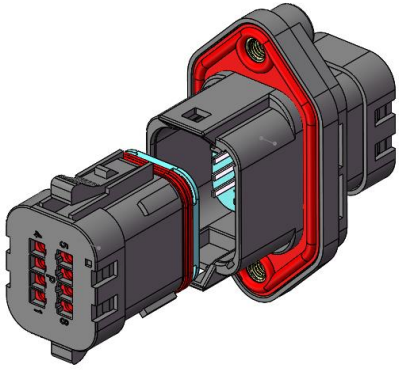
plug dim.



适用端子料号

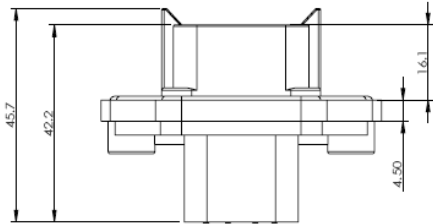
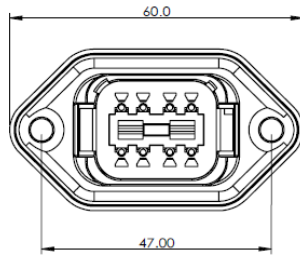
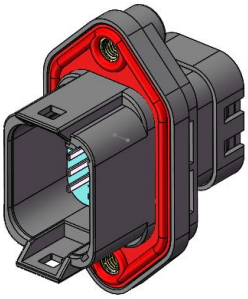
| 端子种类 Terminal Type | 端子料号 Terminal P/N | 适合电缆 Wire Range | 电缆外径范围 Wire OD Range | 端子数量 Terminal NO. | 盲堵种类 Seal Type | 盲堵料号 Seal P/N |
|-----------------------|----------------------|--------------------|-------------------------|----------------------|-------------------|------------------|
| Sicma 1.5mm | XTF1522 | 20~22AWG | 1.35~2.50mm | 12 | 20# Signal | XT-SP-20 |

XT 8POS



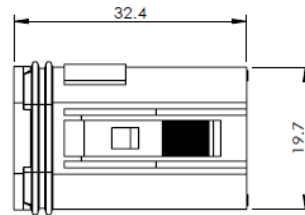
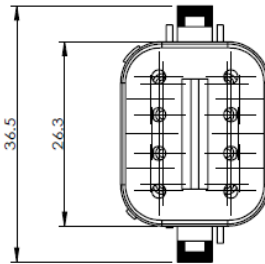
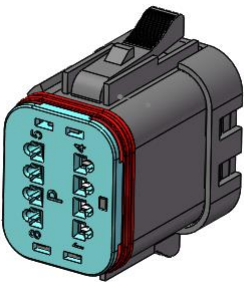
type p/n
 rcpt XT08X-P8
 plug XT18X-S8

receptacle dim.



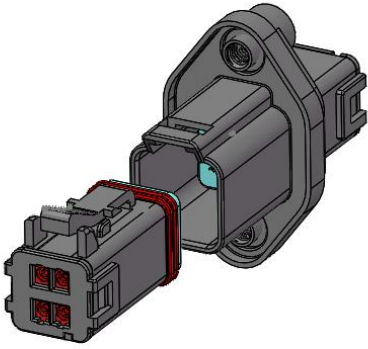
| 适用端子料号 | | | | | | |
|-----------------------|----------------------|--------------------|-------------------------|----------------------|-------------------|------------------|
| 端子种类 Terminal Type | 端子料号 Terminal P/N | 适合电缆 Wire Range | 电缆外径范围 Wire OD Range | 端子数量 Terminal NO. | 盲堵种类 Seal Type | 盲堵料号 Seal P/N |
| Sicma1.5mm | XTM1522 | 20~22AWG | 1.35~2.50mm | 6~8 | 20# Signal | XT-SP-20 |

plug dim.



| 适用端子料号 | | | | | | |
|-----------------------|----------------------|--------------------|-------------------------|----------------------|-------------------|------------------|
| 端子种类 Terminal Type | 端子料号 Terminal P/N | 适合电缆 Wire Range | 电缆外径范围 Wire OD Range | 端子数量 Terminal NO. | 盲堵种类 Seal Type | 盲堵料号 Seal P/N |
| Sicma1.5mm | XTF1522 | 20~22AWG | 1.35~2.50mm | 6~8 | 20# Signal | XT-SP-20 |

XT 4POS

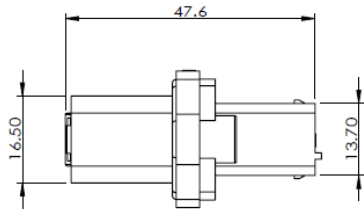
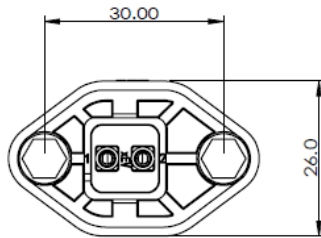
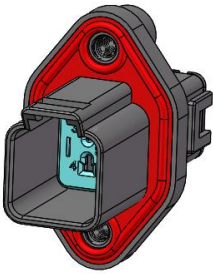


type p/n

rcpt XT08X-P4

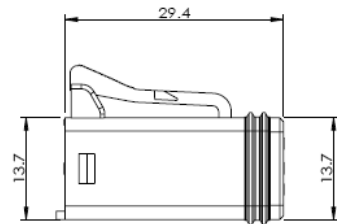
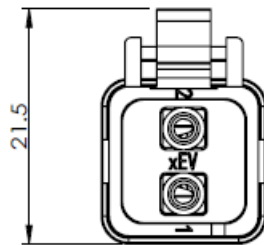
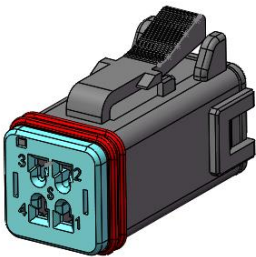
plug XT18X-S4

receptacle dim.



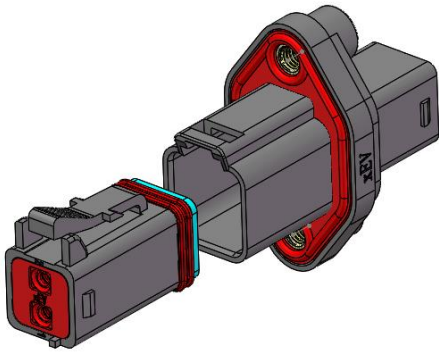
| 适用端子料号 | | | | | | |
|-----------------------|----------------------|--------------------|-------------------------|----------------------|-------------------|------------------|
| 端子种类 Terminal Type | 端子料号 Terminal P/N | 适合电缆 Wire Range | 电缆外径范围 Wire OD Range | 端子数量 Terminal NO. | 盲堵种类 Seal Type | 盲堵料号 Seal P/N |
| Sigma 1.5mm | XTM1522 | 20~22AWG | 1.35~2.50mm | 4 | 20# Signal | XT-SP-20 |

plug dim.



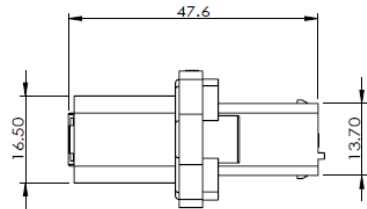
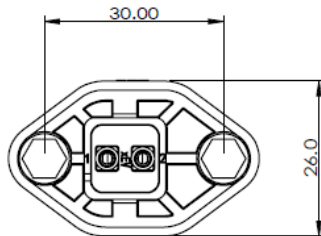
| 适用端子料号 | | | | | | |
|-----------------------|----------------------|--------------------|-------------------------|----------------------|-------------------|------------------|
| 端子种类 Terminal Type | 端子料号 Terminal P/N | 适合电缆 Wire Range | 电缆外径范围 Wire OD Range | 端子数量 Terminal NO. | 盲堵种类 Seal Type | 盲堵料号 Seal P/N |
| Sigma 1.5mm | XTF1522 | 20~22AWG | 1.35~2.50mm | 4 | 20# Signal | XT-SP-20 |

XT 2POS



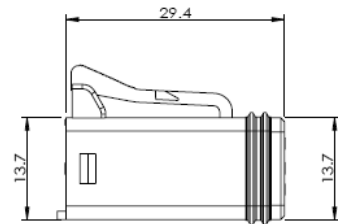
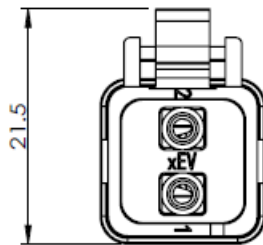
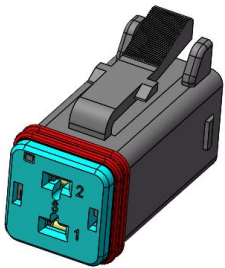
type p/n
 rcpt XT08X-P2
 plug XT18X-S2

receptacle dim.



| 适用端子料号 | | | | | | |
|-----------------------|----------------------|--------------------|-------------------------|----------------------|-------------------|------------------|
| 端子种类 Terminal Type | 端子料号 Terminal P/N | 适合电缆 Wire Range | 电缆外径范围 Wire OD Range | 端子数量 Terminal NO. | 盲堵种类 Seal Type | 盲堵料号 Seal P/N |
| Sicma2.8mm | XTM1422 | 16~18AWG | 2.24~3.00mm | 2 | 16# Power | XT-SP-16 |

plug dim.



| 适用端子料号 | | | | | | |
|-----------------------|----------------------|--------------------|-------------------------|----------------------|-------------------|------------------|
| 端子种类 Terminal Type | 端子料号 Terminal P/N | 适合电缆 Wire Range | 电缆外径范围 Wire OD Range | 端子数量 Terminal NO. | 盲堵种类 Seal Type | 盲堵料号 Seal P/N |
| Sicma2.8mm | XTF1422 | 16~18AWG | 2.24~3.00mm | 2 | 16# Power | XT-SP-16 |

connector order info

XT - 08 X - S - 24
 (A) (B) (C) (D) (E)

| (A) series | | (B) connector type | | (C) key | | (D) terminal type | | (E) No. of Position | |
|------------|------------------|--------------------|------------|---------|-------|-------------------|------------|---------------------|-------|
| XT | XT signal series | 08 | receptacle | X | X key | S | female pin | 2 | 2pos |
| | | 18 | plug | | | P | male pin | 4 | 4pos |
| | | | | | | | | 6 | 6pos |
| | | | | | | | | 8 | 8pos |
| | | | | | | | | 12 | 12pos |
| | | | | | | | | 21 | 21pos |
| | | | | | | | | 32 | 32pos |

terminal ordering info

XTM - 16 - 22
 (A) (B) (C)

| (A) series | | (B) cable size | | (C) plating | |
|------------|------------------|----------------|----------|-------------|--------------|
| XT | XT signal series | 14 | 16~18AWG | 11 | gold plating |
| | | 15 | 20~22AWG | 22 | tin plating |
| | | 16 | 16~18AWG | | |
| | | 20 | 20~22AWG | | |



MSD



Mini MSD

tech parameters

| | |
|----------------------------|----------------------------|
| fuse current | 630 A Max. (per fuse spec) |
| rated voltage | 750V Max. |
| working temp. | -40°C to +70°C |
| insulation flame retardant | UL94 V-0 |
| life circles | Min. 50 |

features and advantages

| | |
|-------------------|-----------------------------|
| options | MSD and MiniMSD |
| IP grading | IP67 ,IP6K9K |
| hvil | optional |
| touch proof | yes |
| installation type | rear and front installation |
| unmating method | two-stage lever system |
| Tool | tool-free |

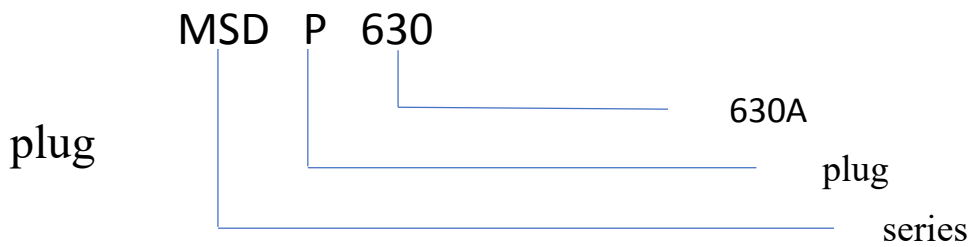
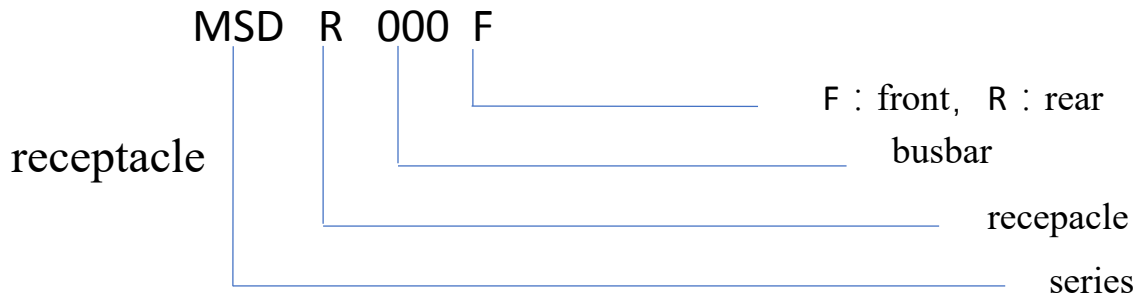
application

| | |
|--|--|
| hv powre distribution box, hv battery pack | |
|--|--|

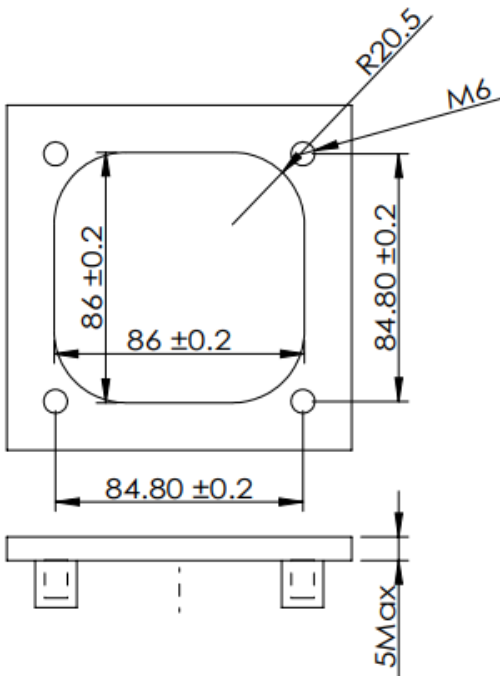
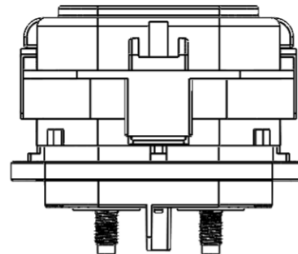
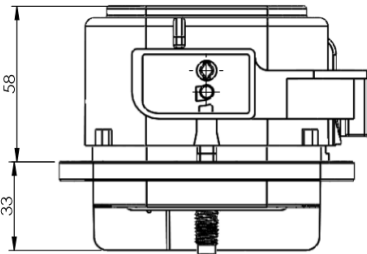
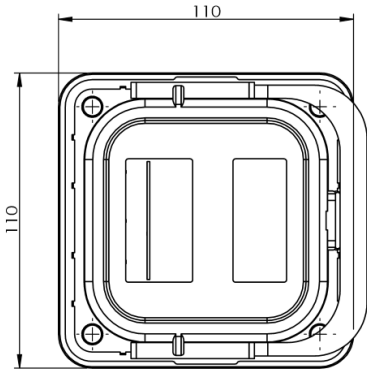
MSD ordering info

| (A) series | | (B) connector type | | (C) fuse rated current | | (D) installation way | |
|------------|------------|--------------------|------------|------------------------|-----------------|----------------------|---------------|
| MSD | MSD series | R | receptacle | 000 | busbar, no fuse | F | front install |
| | | P | plug | 350 | 350A | R | rear install |
| | | | | 400 | 400A | | |
| | | | | 450 | 450A | | |
| | | | | 500 | 500A | | |
| | | | | 550 | 550A | | |
| | | | | 630 | 630A | | |
| | | | | | | | |
| | | | | | | | |
| | | | | | | | |
| | | | 熔 | | | | |

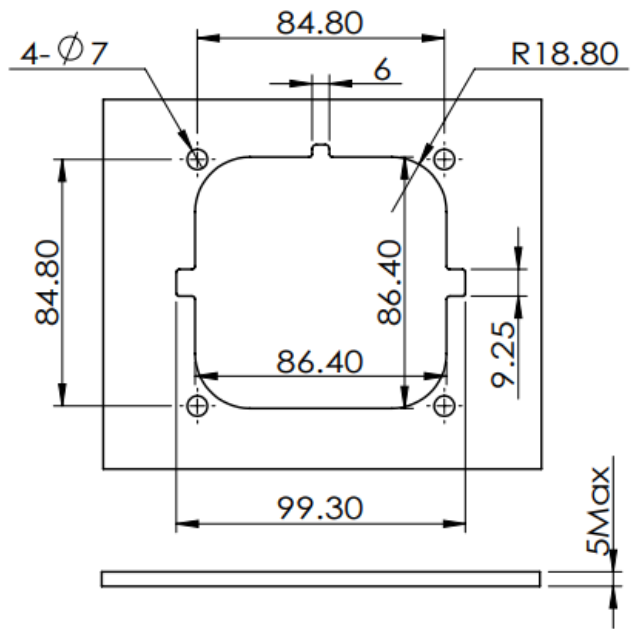
MSD ordering info



MSD receptacle dim.



front install

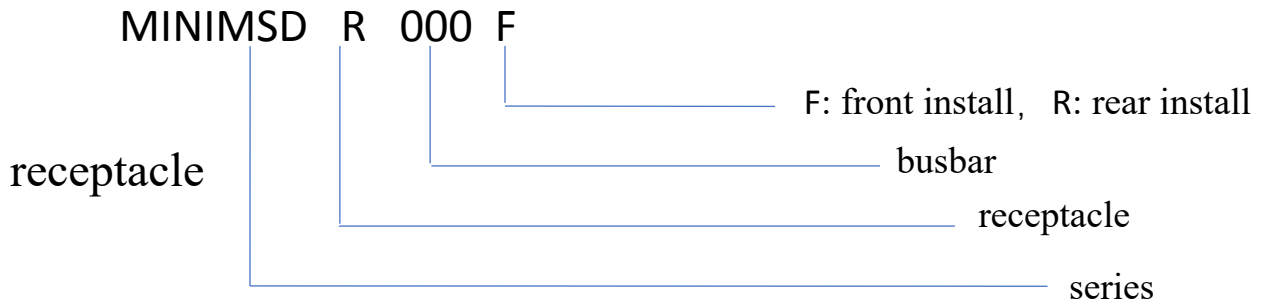


rear install

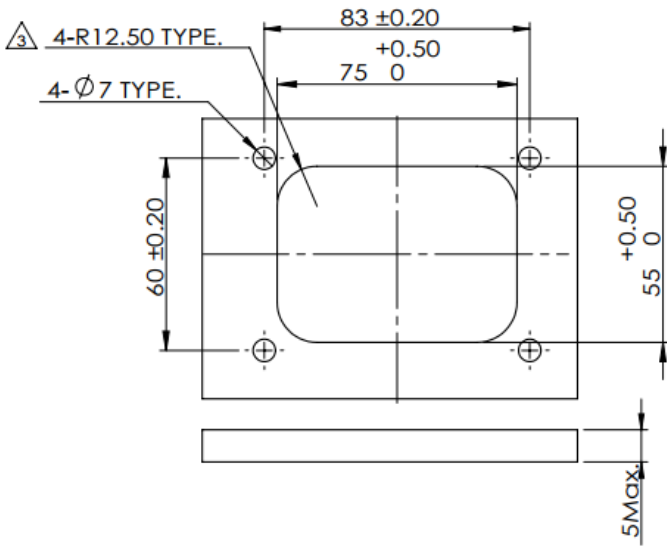
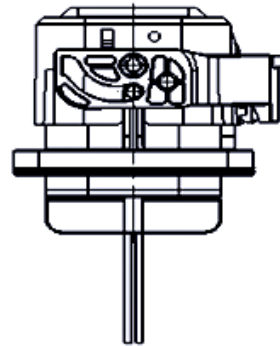
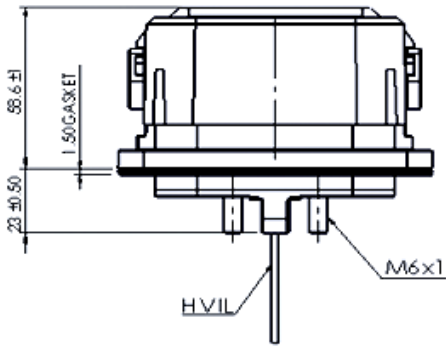
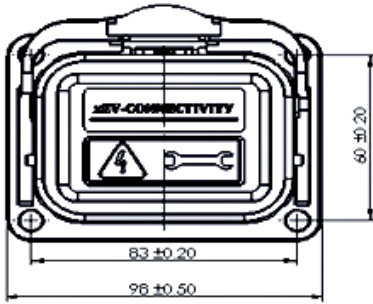
MINIMSD order info

| (A) series | | (B) connector type | | (C) fuse rated current | | (D) installation way | |
|------------|----------|--------------------|------------|------------------------|-----------------|----------------------|---------------|
| MSD | MINI MSD | R | receptacle | 000 | busbar, no fuse | F | front install |
| | | P | plug | 080 | 80A | R | rear install |
| | | | | 100 | 100A | | |
| | | | | 125 | 125A | | |
| | | | | 160 | 160A | | |
| | | | | 200 | 200A | | |
| | | | | 250 | 250A | | |
| | | | | 315 | 315A | | |
| | | | | 350 | 350A | | |
| | | | | 400 | 400A | | |

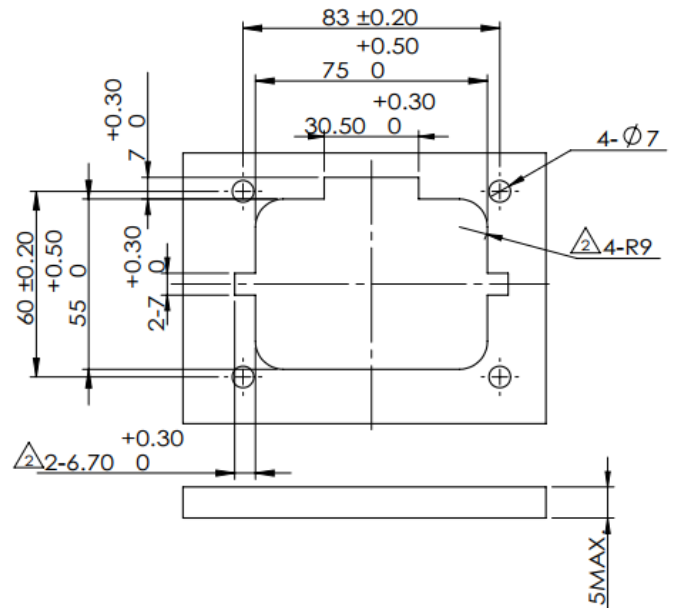
MINIMSD order info



MINIMSD dim.



front install



rear install

Renhotec Group Limited

Head Office:

No.555, Wenhua Avenue, Hongshan District 430070, Wuhan City, Hubei, China.

Factory 1:

No.25, Ningjiang Road, Humen Town, Dongguan City, Guangdong Province, China.

Factory 2:

Building 5, Wanyang Zhongchuang City, Daze Park, Shenjiang Industrial Park, Daze Town, Xinhui District, Jiangmen City, Guangdong Province, China

Web: <https://www.renhotecev.com>

Tel: +86 15925121787

Email: sale@renhotec.com

