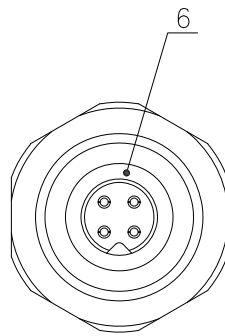
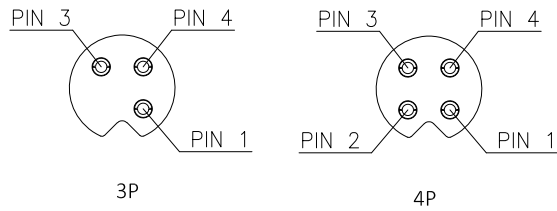
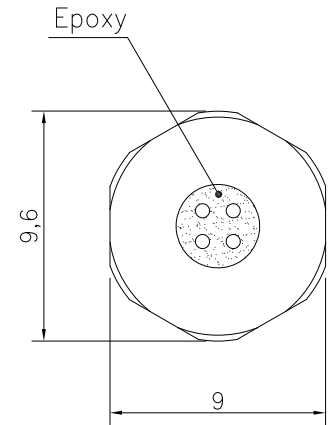
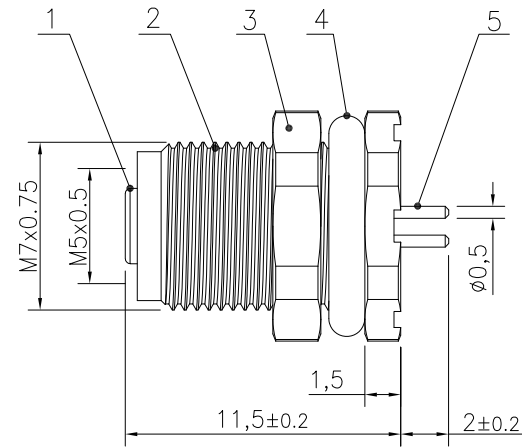


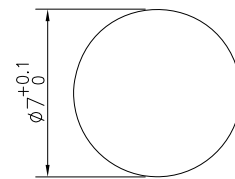
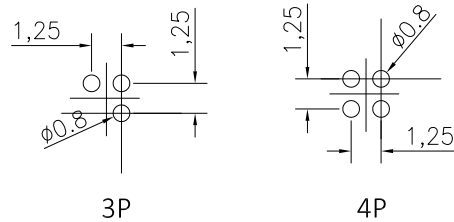
Core layout



A



RECOMMENDED  
P.C.B LAYOUT



Recommended  
Panel cut-out

Technical specifications:

1. Rated voltage/current: 60V/1A
2. Degree of protection: IP67
3. Temperature range: -25°C~+80°C
4. Mating cycles: ≥500
5. Contact resistance: ≤5mΩ

6	O-Ring	Rubber, Black	1
5	Contact	Brass; Gold-plated	3~4
4	O-Ring	Rubber, Black	1
3	Nut	Brass; Nickel plated	1
2	Body	M5 female Shell, Brass; Nickel plated	1
1	Housing	PA66,Black	1
No.	PART NAME	DESCRIPTION	Q'TY

-TOLERANCES- UNLESS OTHERWISE SPECIFIED
UNLESS OTHERWISE SPECIFIED TOLERANCES FOR MILLIMETERS ARE: 0.5 - 8mm ± 0.20mm 8 - 30mm ± 0.25mm 30 - 120mm ± 0.30mm

		<h1>RENHOTEC GROUP</h1>				
		<b>PART DESCRIPTION:</b> M5 Female Connector front fastened,PCB type				
Appr: JIM.KING		P/N: M5006-XP				
Check:	Date	Scale	Unit	Type	Page	
Draw: DING	2022.11.01	Free	MM	Z	1/1	