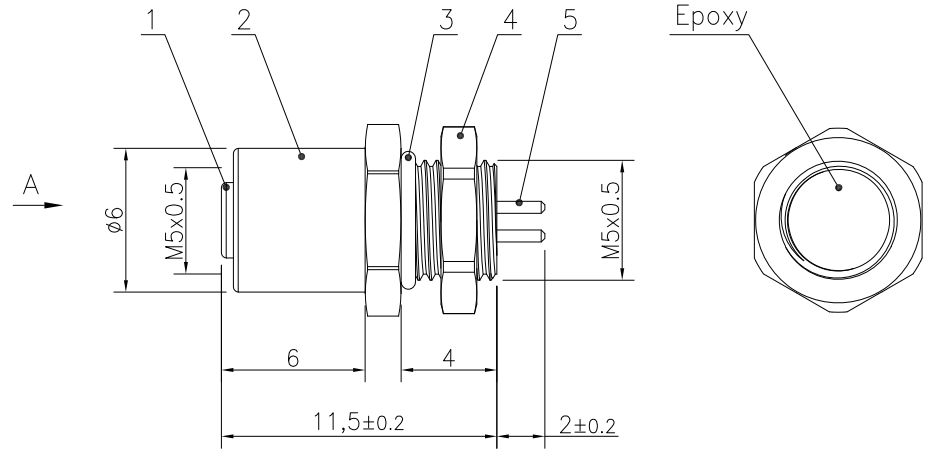
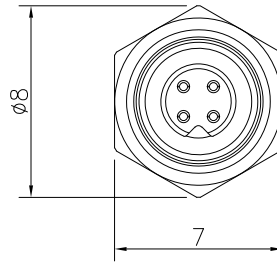
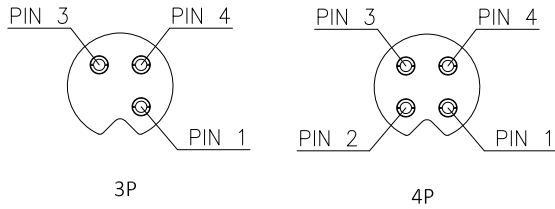
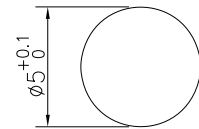
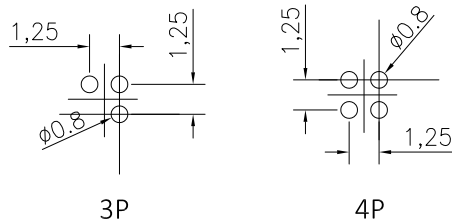


Core layout



RECOMMENDED P.C.B LAYOUT



Recommended Panel cut-out

Technical specifications:

1. Rated voltage/current: 60V/1A
2. Degree of protection: IP67
3. Temperature range: -25°C ~ +80°C
4. Mating cycles: ≥ 500
5. Contact resistance: ≤ 5mΩ

6	O-Ring	Rubber, Black	1
5	Contact	Brass; Gold-plated	3~4
4	Nut	Brass; Nickel plated	1
3	O-Ring	Rubber, Black	1
2	Body	M5 female Shell, Brass; Nickel plated	1
1	Housing	PA66, Black	1
No.	PART NAME	DESCRIPTION	Q'TY

-TOLERANCES- UNLESS OTHERWISE SPECIFIED	<b>RENHOTEC GROUP</b>					
	PART DESCRIPTION: M5 Female Connector Rear fastened, PCB type					
UNLESS OTHERWISE SPECIFIED TOLERANCES FOR MILLIMETERS ARE: 0.5 - 8mm ± 0.20mm 8 - 30mm ± 0.25mm 30 - 120mm ± 0.30mm	Appr: JIM.KING	P/N: M5008-XP				
	Check:	Date	Scale	Unit	Type	Page
	Draw: DING	2022.11.01	Free	MM	Z	1/1