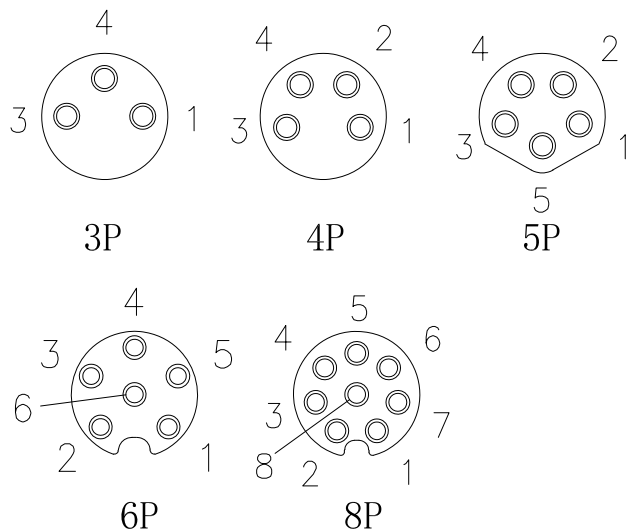
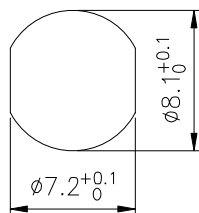
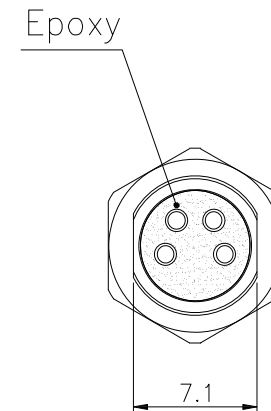
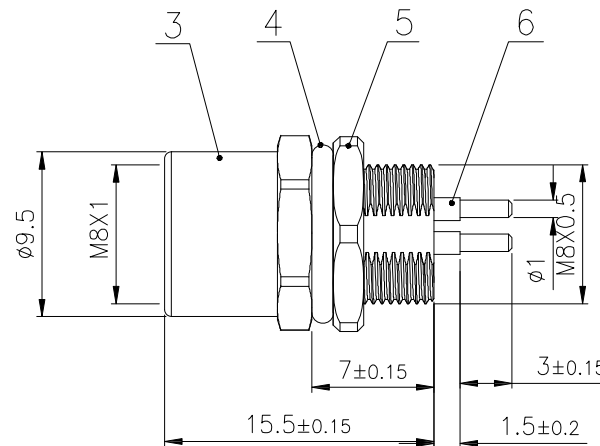
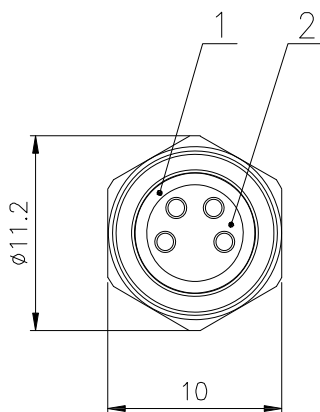
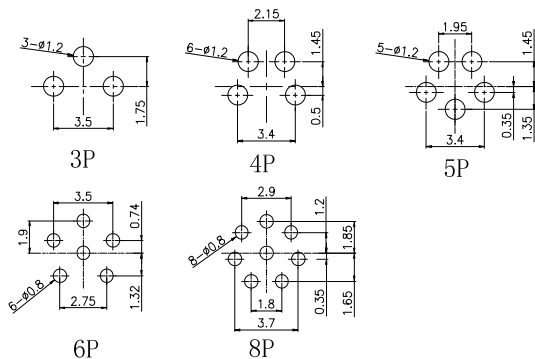


Core layout



PCB LAYOUT



Recommended Panel cut-out

A:
3P, 4P, 5P: $\phi 1\text{mm}$
6P, 8P: $\phi 0.6\text{mm}$

Technical specifications:

1. Rated voltage/current:
3/4pin: 60V/3A
5pin: 30V/3A
6/8pin: 30V/1.5A
2. Degree of protection: IP67
3. Temperature range: $-25^{\circ}\text{C} \sim +80^{\circ}\text{C}$
4. Mating cycles: ≥ 500

| | | | |
|-----|-----------|--------------------------------|------|
| 6 | Pin | Brass; Gold-plated | 3~8 |
| 5 | Nut | Brass; Nickel plated | 1 |
| 4 | O-Ring | Rubber, Black | 1 |
| 3 | Body | M8 Shell, Brass; Nickel plated | 1 |
| 2 | Housing | PA66, Black | 1 |
| 1 | O-Ring | Rubber, Black | 1 |
| No. | PART NAME | DESCRIPTION | Q'TY |

| | | | | | | |
|--|--|-------------------|-------|------|------|------|
| -TOLERANCES- UNLESS OTHERWISE SPECIFIED | RENHOTEC GROUP | | | | | |
| | PART DESCRIPTION: M8 female Connector Rear fastened, PCB type | | | | | |
| UNLESS OTHERWISE SPECIFIED TOLERANCES FOR MILLIMETERS ARE: 0.5 - 8mm $\pm 0.20\text{mm}$ 8 - 30mm $\pm 0.25\text{mm}$ 30 - 120mm $\pm 0.30\text{mm}$ | Appr: JIM.KING | P/N: RHT-634-3233 | | | | |
| | Check: | Date | Scale | Unit | Type | Page |
| | Draw: DING | 2022.12.01 | Free | MM | Z | 1/1 |