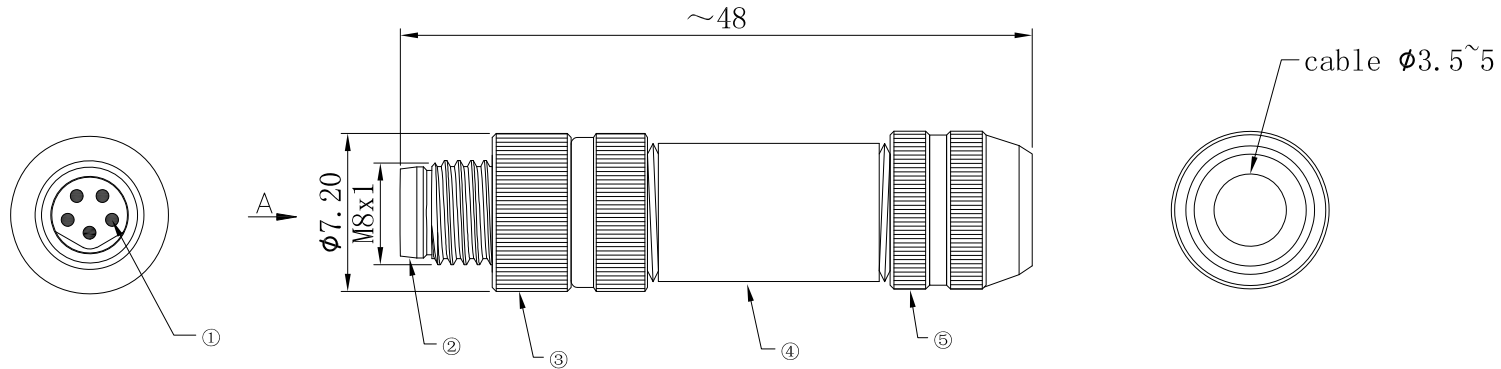




Product NO.		RHT-634-3232		
ISSUE	DESCRIPTION	DWN	DATE	APPROVEN
First	First issue	Ding	2022. 12. 01	JIM. KING



NOTES:

1. Rated voltage/current :

- 3P 60V/3A
- 4P 60V/3A
- 5P 30V/3A
- 6P 30V/1.5A
- 8P 30V/1.5A

2. Withstanding voltage : AC650V/1 Min

3. Wire Range : 24AWG/0.25mm²

4. Cable Range: 3.5~5mm

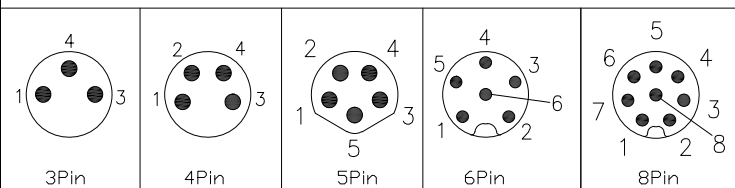
5. Wire connection mode: Solder

6. Operating temperature: -40°C ~ +85°C

7. RoHS Compliance

5	Plastic Nut	Brass	Nickel	1
4	Body	Brass	Nickel	1
3	Nut M8*1	Brass	Nickel	1
2	Insulator	PA66	Black	1
1	Contacts	Brass	Gold	3~8
NO	Description	Material	Finish	Qty

Pin Assignments Front View

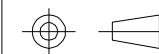


-TOLERANCES-
UNLESS OTHERWISE
SPECIFIED

UNLESS OTHERWISE SPECIFIED
TOLERANCES FOR MILLIMETERS ARE:
0.5 - 8mm ± 0.20mm
8 - 30mm ± 0.25mm
30 - 120mm ± 0.30mm



RENHOTEC GROUP



PART DESCRIPTION:
M8 MALE CONNECTOR, shielded, solder type

Appr: JIM. KING

P/N: RHT-634-3232

Check:

Date	Scale	Unit	Type	Page
2022. 12. 01	Free	MM	Z	1/1

Draw: Ding