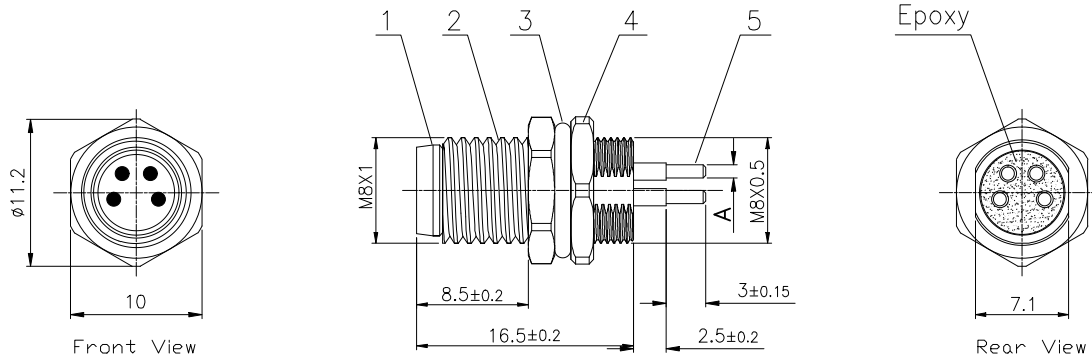


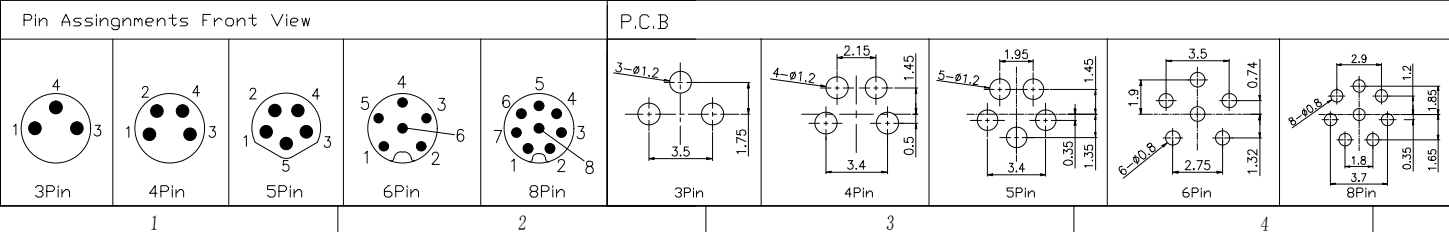
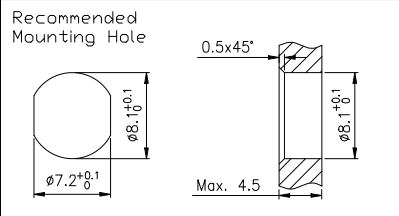
ISSUE	DESCRIPTION	DWN	DATE	APPROVEN
R1.0	First issue	Ding	2021/05/27	JIM. KING



A:
 3P, 4P, 5P: ϕ 1mm
 6P, 8P: ϕ 0.6mm

Technical specifications:

- Rated voltage/current:
 3/4pin: 60V/3A
 5pin: 30V/3A
 6/8pin: 30V/1.5A
- Degree of protection: IP67
- Temperature range: $-25^{\circ}\text{C} \sim +80^{\circ}\text{C}$
- Mating cycles: ≥ 500



5	Contacts	Brass	Gold	3-8
4	Nut M8*1	Brass	Nickel	1
3	O-Ring	Rubber		1
2	Body	Brass	Nickel	1
1	Insulator	PA66	Black	1
NO	Description	Material	Finish	Qty

-TOLERANCES- UNLESS OTHERWISE SPECIFIED			RENHOTEC GROUP				
	Appr: JIM. KING		PART DESCRIPTION: M8 Male Panel Mount, Back fastened, PCB Type				
UNLESS OTHERWISE SPECIFIED TOLERANCES FOR MILLIMETERS ARE: 0.5 - 3mm \pm 0.20mm 3 - 30mm \pm 0.25mm 30 - 120mm \pm 0.30mm	Check:		Date	Scale	Unit	Type	Page
	Draw: Ding		2021.05.27	Free	MM	Z	1/1