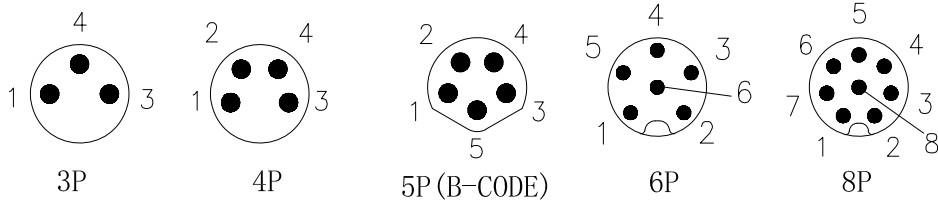
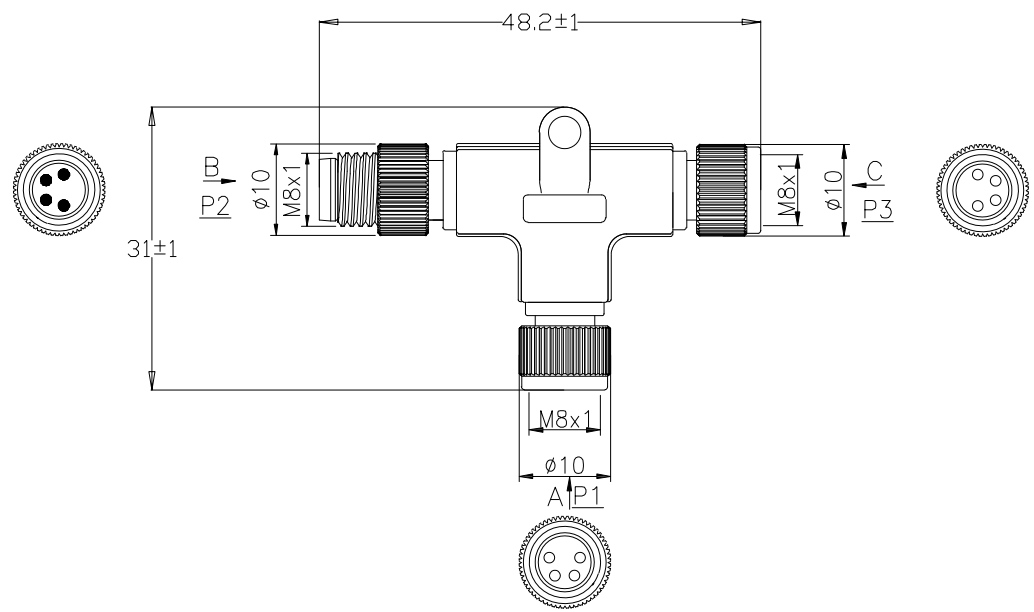
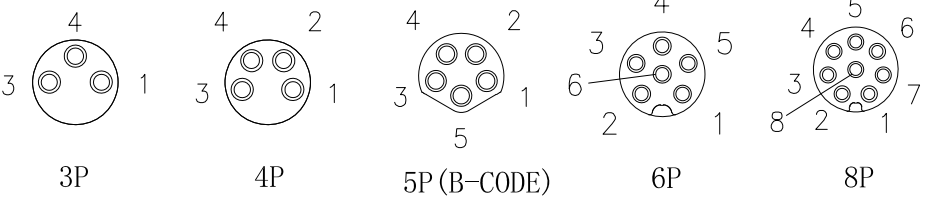


Pin Layout (male):



Pin Layout (female):



7	Screw	Brass, Nickel Flash	2
6	Connector	M8 female Connector Insert	1
5	O-ring	Rubber, Black	2
4	Cable	UL1007 24AWG	3~8
3	Molding	PVC, Black	1
2	Nut	Brass, Nickel Flash	2
1	Connector	M8 Male Connector Insert	1
NO	PART NAME	DESCRIPTION	QTY

Pin Assignment

3PIN (24AWG)		4PIN (24AWG)		5PIN (24AWG)		6PIN (26AWG)		8PIN (26AWG)	
P1/P2 /P3	wire color	P1/P2 /P3	wire color	P1/P2 /P3	wire color	P1/P2 /P3	wire color	P1/P2 /P3	wire color
1	Brown	1	Brown	1	Brown	1	Brown	1	White
		2	White	2	White	2	White	2	Brown
3	Blue	3	Blue	3	Blue	3	Blue	3	Green
4	Black	4	Black	4	Black	4	Black	4	Yellow
				5	Grey	5	Grey	5	Grey
						6	Pink	6	Pink
								7	Blue
								8	Red

- Technical specifications:
- Rated voltage/current:
 - 3P 60V/3A
 - 4P 60V/3A
 - 5P 30V/3A
 - 6P 30V/1.5A
 - 8P 30V/1.5A
 - Degree of protection: IP67
 - Temperature range: -25°C~+80°C
 - Mating cycles: ≥500
 - Contact resistance: ≤5mΩ

-TOLERANCES-
UNLESS OTHERWISE
SPECIFIED



UNLESS OTHERWISE SPECIFIED
TOLERANCES FOR MILLIMETERS ARE:
0.5 - 8mm ± 0.20mm
8 - 30mm ± 0.25mm
30 - 120mm ± 0.30mm

PART DESCRIPTION: M8 Type T Connector					
Appr: JIM.KING	P/N: RHT-605-4080				
Check:	Date	Scale	Unit	Type	Page
Draw: DING	2022. 11. 15	Free	MM	Z	1/1