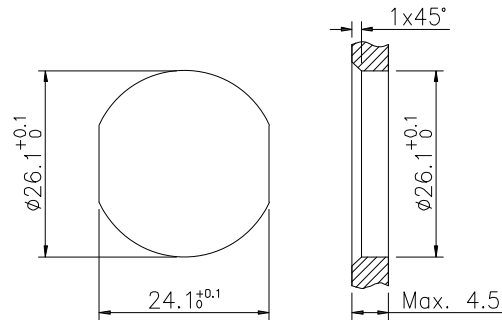


- Technical specifications:
- Rated voltage/current:
3P 300V/13A
4P 300V/13A
5P 300V/9A
 - Degree of protection: IP67
 - Temperature range: -25°C~+80°C
 - Mating cycles: ≥500
 - Contact resistance: ≤5mΩ



Recommended Panel cut-out

Order NO. Description

78012 - XX

SERIES: Mini-change(7/8"),female Front fastened,PCB type
POLES: 03=3Poles, 04=4Poles, 05=5Poles

Series	3PIN	4PIN	5PIN
PIN Layout (front view)			
PCB Layout			

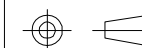
5	Pin	Brass; Gold-plated	3~5
4	O-Ring	Rubber, Black	1
3	Nut	Brass; Nickel plated	1
2	Body	7/8" male Shell, Brass; Nickel plated	1
1	Housing	TPU,Black	1
No.	PART NAME	DESCRIPTION	Q'TY

-TOLERANCES-
UNLESS OTHERWISE
SPECIFIED

UNLESS OTHERWISE SPECIFIED
TOLERANCES FOR MILLIMETERS ARE:
0.5 - 8mm ± 0.20mm
8 - 30mm ± 0.25mm
30 - 120mm ± 0.30mm



RENHOTEC GROUP



PART DESCRIPTION:
7/8" female connector, Panel Mount, Front fastened,PCB type

Appr: JIM.KING

P/N: 78012-XX

Check:

Date	Scale	Unit	Type	Page

Draw: DING

2022.12.06	Free	MM	Z	1/1
------------	------	----	---	-----